

# Spraying Components Catalogue



*Incorporating  
Precision Farming*

[silvan.com.au](http://silvan.com.au)

**Silvan**

**GENUINE  
ACCESSORIES**

## Introduction



### **Silvan Customer Service**

**We are ready to take your call.**

Your phone call to 1300 SILVAN (1300 745 826) will direct you to our highly experienced Silvan Customer Service staff that will assist you with:

- Price and availability
- Product enquiries
- Back order advices
- Order entry
- Credit processing

If your enquiry is of a technical nature, our Customer Service team will transfer you to our National Spare Parts team for parts interpretation and parts sourcing, or our Technical Services team for after sales service issues.

**Call: 1300 SILVAN (1300 745 826)**

**Fax: 1800 SILVAN (1800 745 826)**



## e-Commerce



### **e-Commerce @ Silvan**

Silvan's e-Commerce tool is available for immediate registration by clicking on the dealer login on the main page at [www.silvan.com.au](http://www.silvan.com.au)

This e-Commerce tool allows you to:

- Order online
- Enquire on your order status online  
- *open orders, back orders, dispatched orders*
- Follow freight for your goods online  
- *direct access to Freight con notes*
- Enquire on your invoices and credit notes online
- Access the Silvan on-line spare parts system

For more details, phone Customer Service on **1300 SILVAN (1300 745 826)**.



# Introduction

Silvan was founded in 1962 and is devoted to those connected to the land. The Silvan brand has always pioneered superior technology, durability and dedicated support with Silvan's "Big Red Tanks" becoming a constant in the Australian agricultural landscape.

## **SILVAN SPRAYERS**

A leader in the design of high and low volume horticultural sprayers, Silvan has evolved into the largest Australasian manufacturer of world-class crop protection sprayers and related machinery. Specialised equipment has been developed for crops including vegetables, grapes, apples, pears, citrus, bananas, olives, sugar cane and turf.

## **FARM MACHINERY**

Silvan Australia's farm machinery range comprises a broad selection from the world's most prominent manufacturers including; Nobili mulchers, Breviglieri tillage equipment and Sitrex hayrakes. Silvan also manufactures high quality agricultural implements including rotary slashers, carryalls & post hole diggers.



## **SPRAYING COMPONENTS**

This catalogue provides a comprehensive range of sprayer components to service Silvan spraying products. As an independent manufacturer, we have forged strong links with our suppliers and have the ability to offer choices of components for your sprayer. We ship components and spare parts daily by courier and express post. This catalogue will give you an overview of products available however if you do not see what you need please feel free to enquire.



# CONTENTS

## PRECISION FARMING

PAGE 5



GPS Guidance	6
Rate Controllers and Autosteer	7-10
Ultrasonic Sensors and Monitors	11-12
Low and High Pressure Valve Banks	13-15
Flowmeters and Foam Markers	16-18
Electric Solenoid Controls	19
High Pressure Solenoids & Electric Motor Valve Controls	20
Goyen Solenoids	21
Pressure Relief Valves and Foam Marker Solenoids	22
Teejet Control Valves and Chemical Transfer	23

## PUMPS, CONTROLS AND SERVICE KITS

PAGE 24



Motorised Diaphragm Pumps	25
PTO Diaphragm Pumps	26-27
Diaphragm Pump Controls	28
High Pressure Diaphragm Pumps	29-31
Diaphragm Pump Service Kits	32
PTO Shafts	33
Hydraulic Drive Centrifugal Pumps	34
12 Volt Pumps and 12 Volt Pump Service Kits	35-39

## PLUMBING, FILTRATION & TANK ACCESSORIES

PAGE 40



Filtration	41
Suction Filters	42-43
Pressure Filters	43-45
Nozzle Strainers	46
Tank Lids and Ball Valves	47-50
Pressure Gauges	50
Tank Rinsing and Sight Gauges	51
Camlever Couplings and Plumbing Accessories	52-62
Hose and Agitators	63-65

## NOZZLES & ACCESSORIES

PAGE 66



Nozzles	67-81
Horticulture Nozzles	82-84
Specialty Nozzles	85
Boomless Nozzles	86-89
Nozzle Holders	90-96
Nozzle Caps	97-99

## SAFETY EQUIPMENT

PAGE 101



Safety Warning Signs	101
Safety Gear	102-103
Gloves and Measuring Jugs	104
Tank Cleaner and Foam Marker Accessories	105
Index, Terms and Conditions	106-111



# Precision Farming



**Silvan**

**GENUINE  
ACCESSORIES**



## NAVIGATOR LT

The Navigator LT is a complete GPS system with 5.7" display that provides enhanced visual guidance with a light bar and on screen guidance. The SD card port can be used to download reports on where you have sprayed, area covered and time spent.

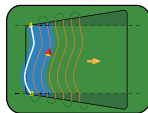
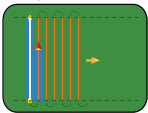
4674A1000



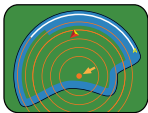
### MATRIX GUIDANCE FUNCTIONS

Straight A-B Guidance

Curved A-B Guidance



Circle Pivot Guidance



## MATRIX 430

The Matrix 430 utilises GPS technology to guide tractors and machinery during boom spraying or fertiliser spreading to maximise application accuracy.

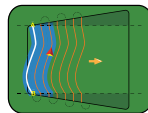
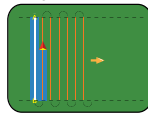


GD430-GLO-P-L

### MATRIX GUIDANCE FUNCTIONS

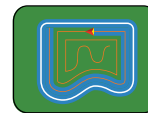
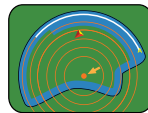
Straight A-B Guidance

Curved A-B Guidance



Circle Pivot Guidance

Last Pass Guidance



CODE	DESCRIPTION	FEATURES	CAT
4674A1000	NAVIGATOR LT GPS	5.7" display, SD card port, external antenna, integrated GPS receiver	
GD430-GLO-P-L	MATRIX 430	4.3" colour display, integrated USB port, external patch antenna	A

# Rate Controllers



## DELTA 80 SPRAYER CONTROL

A highly flexible combination of GPS guidance, automatic section control and accurate rate control allows unmatched efficiency. Multiple GPS antenna options available for required accuracy.

## DISTRIBUTION CONTROL

Automatic adjustment of spray application rate by measuring flow and speed.

## SECTIONS

Controls up to 7 spray sections and 7 hydraulic functions.

## KIT CONTENTS

Control box, tractor loom, sprayer loom and GPS antenna.

## MEMORY

USB port to store working reports; path and treatment data for each area.



DELTA 80

CODE	DESCRIPTION	DISPLAY
4475000	ARAG Delta 80	High Resolution 8.4" Display

NOTE: Extra components including electric valves and flow meter may be needed.

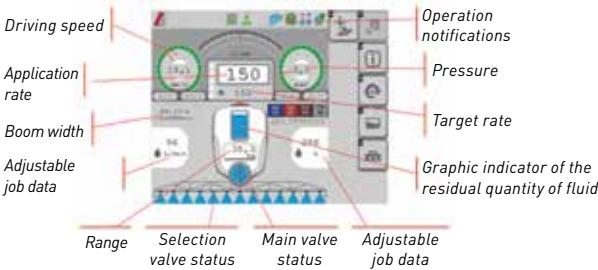


## IBX100 ISOBUS SPRAYER CONTROL

An ISOBUS compatible controller designed to integrate with tractor terminals such as John Deere® and Topcon®. It utilises the existing ISOBUS compatible tractor terminal for spray rate control and automatic section control.

### CONTROL

- Up to 13 spray sections
- 9 hydraulic functions



**IBX100**



*NOTE: Extra components may be needed.*

CODE	DESCRIPTION	CONTROL
4679004	IBX100 Control Unit	Controls up to 13 Spray Sections, 9 Hydraulic Controls





## AUTO-STEER

46701701

A high quality, flexible, retrofit auto steer system. Autosteer provides a logical upgrade to the Delta 80 auto rate controller and improves the operational accuracy of GPS guidance systems. Saves time, fuel and material being applied.

- Reduces the chance of skipped or overlapped areas
- Easy to install and calibrate
- Reduces operator effort in repetitive operations
- High torque, gear driven transmission eliminates slipping and drives any style of steering
- Manual over-ride allows operator to manually control vehicle when required
- No obstruction to manual steering function
- Auto steer function disabled for on-road use



*NOTE: Must be used in conjunction with Delta 80 Guidance System. Extra components may be needed.*

CODE	DESCRIPTION
46701701	Automatic Steering System



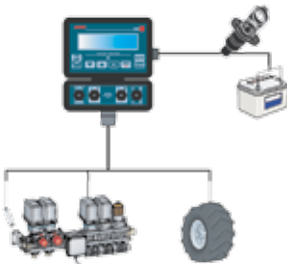
## BRAVO 180S RATE CONTROLLERS

The BRAVO 180S comes as a single or multi-row horticulture or broadacre spray rate controller. They are compact and easy to use, and ensure precise product delivery.

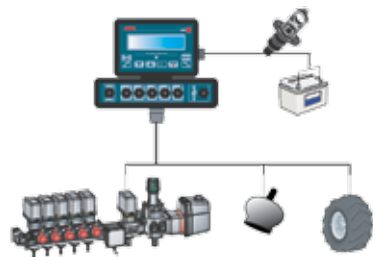
- Automatic adjustment of spray application rate by measuring flow and speed
- Display of application rate (l/ha), speed, area, spray volume, tank level, flow rate (l/min), field number, operating time and covered distance
- Horticultural model controls up to 4 sections
- Broadacre model controls up to 5 sections
- Kit includes control box, tractor loom, sprayer loom and speed sensor
- Optional valves and flow meter



**BRAVO  
180SHKIT**



*Pictured: Bravo 180 horticulture model connectivity*



*Pictured: Bravo 180 broadacre model connectivity*

CODE	DESCRIPTION
BRAVO180SHKIT	ARAG Bravo 180S - 2 Sections (For horticultural applications)
BRAVO180HKIT	ARAG Bravo 180S - 4 Sections (For multi-row applications)
BRAVO180BAKIT	ARAG Bravo 180S - 5 Sections (For broadacre applications)

*NOTE: Extra components including electric valves and flow meter may be needed.*

## BRAVO 140 KIT SPECIFICATIONS

The Bravo 140 tree sensor detects tree canopies, trunks or stakes via ultrasonic sensors mounted at the front of the sprayer. The sprayer then only sprays the tree, not the spaces in between. You not only use significantly less chemical, your tank refills are reduced saving you time and money.

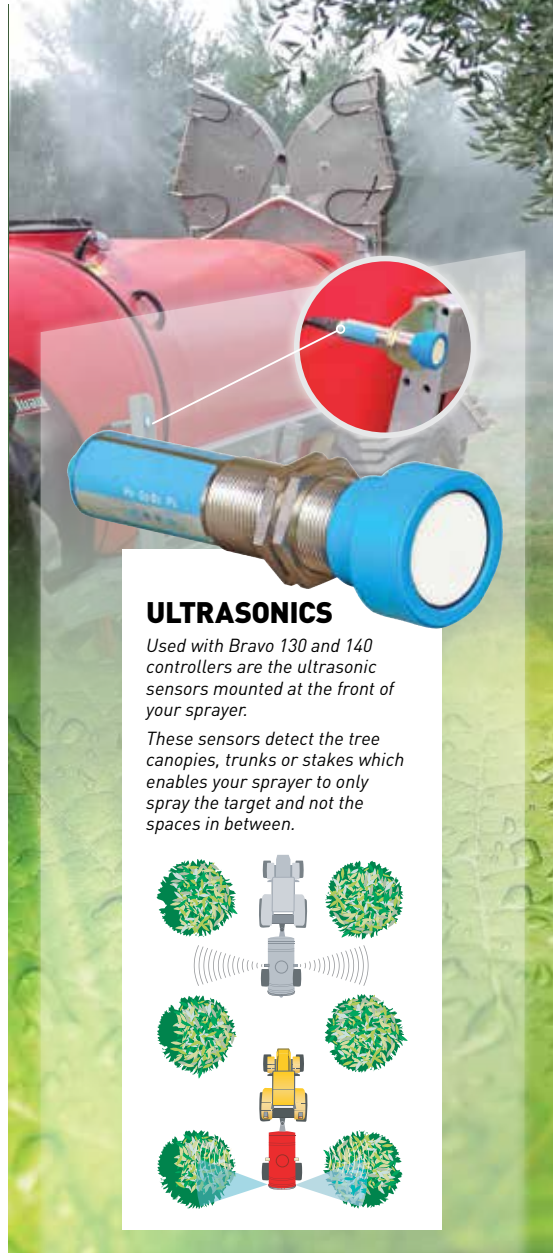
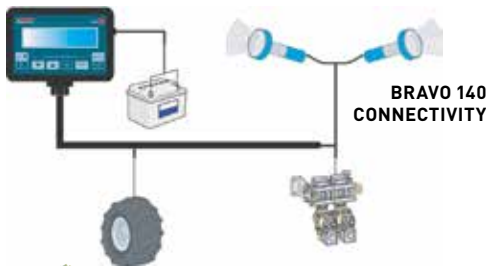
## DISPLAY

Speed, sprayed tree, number of trees, sensor status

## KIT CONTENTS

Kit includes control box, tractor loom, sprayer loom, ultrasonic sensors, speed sensor and solenoids

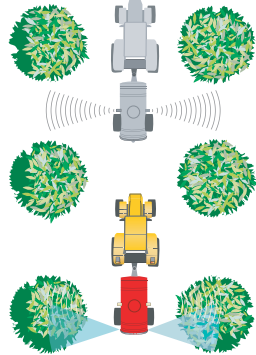
*NOTE: Extra components may be needed.*



## ULTRASONICS

Used with Bravo 130 and 140 controllers are the ultrasonic sensors mounted at the front of your sprayer.

These sensors detect the tree canopies, trunks or stakes which enables your sprayer to only spray the target and not the spaces in between.



CODE	DESCRIPTION	CONTROL
D99-165	ARAG Bravo 140	Up to 2 Ultrasonic Sensors and 2 Sections

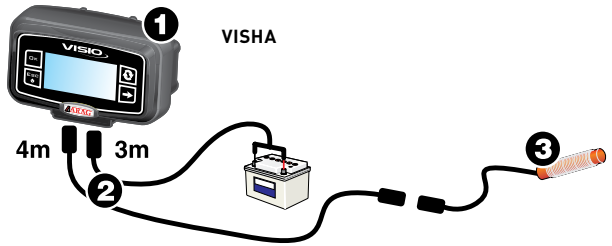


Visio is an innovative multi-function display featuring compact dimensions and accuracy at an affordable price. It can be connected to several sensors, to view a wide range of data from agricultural spraying applications.

## VISIO HECTARE METER

Simultaneous display of area and ground speed using an inductive speed sensor.

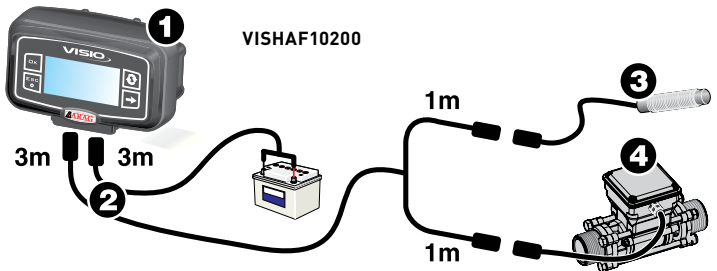
1. Visio display unit
2. Cable kit for one sensor
3. Inductive speed sensor



## VISIO RATE MONITOR

Display of ground speed, area, flow rate, application rate and volume using a 10-200 L/min (40 Bar) flow sensor.

1. Visio Display unit
2. Cable kit for two sensors
3. Inductive speed sensor
4. 10 - 200 L/min Wolf flowmeter



Note: Extra components may be needed.

Flow meter supplied does not match image

CODE	DESCRIPTION	DISPLAY	KIT CONTENTS
VISHA	VISIO Hectare Meter	Backlit LCD Screen	Display, Cable Kits, Speed Sensor
VISHAF10200	VISIO Rate Monitor	Backlit LCD Screen	Display, Cable Kits, Speed/Flow Sensors

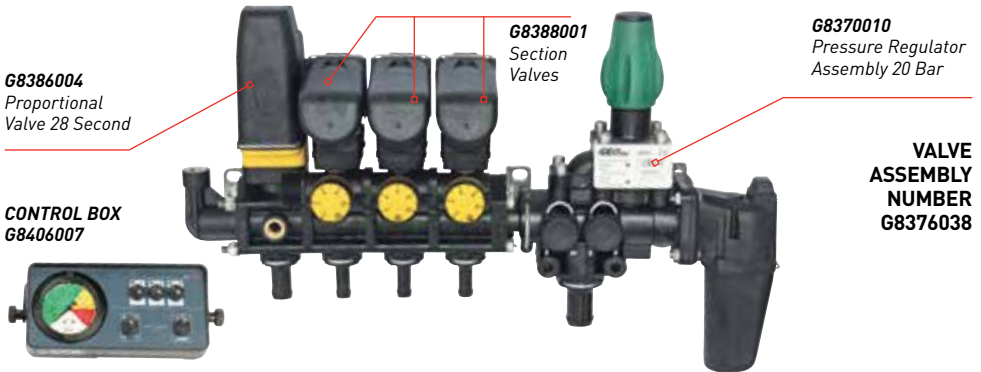
\*Extra components such as hoses and mounting brackets may be required.

# Low Pressure Valve Banks

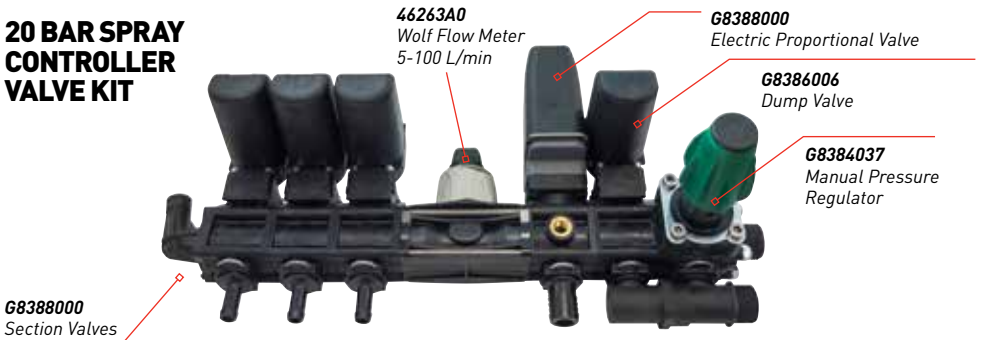


## 20 BAR ELECTRIC VALVE KIT

Features an in-cab control box with proportional pressure compensating valves designed to maintain constant pressure and output even after one or more boom sections are closed.



## 20 BAR SPRAY CONTROLLER VALVE KIT



CODE	DESCRIPTION
461530A	Silvatic Electric Spray Control Kit
D99-82	Valve Bank to Suit BRAV0180BAKIT

\*Extra components such as hoses and mounting brackets may be required.



## High Pressure Valve Banks



### 40 BAR ELECTRIC SPRAY CONTROL

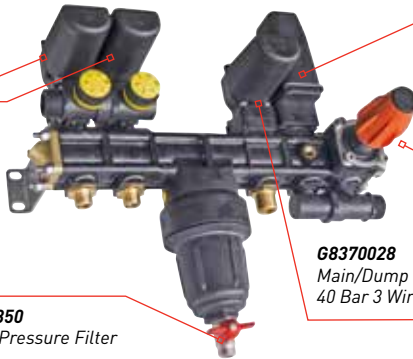
Supplied complete with 2 on/off electric valves for left or right side spraying and 1 bypass electric valve, electric pressure regulator, manual pressure regulator and pressure filter.

**G8388005**  
Section Valves 3 Wire

**CONTROL BOX**  
**G8406006**



**345200350**  
In-Line Pressure Filter



**G8386023**  
Electric Proportional  
Valve 14 Second  
(7 Second Valve G8386017)

**G8384039**  
Manual Pressure  
Regulator 40 Bar

**G8370028**  
Main/Dump Valve  
40 Bar 3 Wire

**VALVE  
ASSEMBLY  
NUMBER  
G8378C0044**

### 40 BAR SPRAY CONTROLLER VALVE KIT

**G8388005**  
Section Valves 3 Wire

**TO SUIT  
BRAVO 180SHKIT**

**46264A0**  
Wolf Flow Meter  
10-200 L/min



**G8370028**  
Main/Dump  
Valve 40 Bar  
3 Wire

**G8386023**  
Electric Proportional  
Valve 14 Second  
(7 Second Valve G8386017)

**G8384039**  
Manual Pressure  
Regulator 40 Bar

CODE	DESCRIPTION
D99-80	High Pressure Electric Valve Kit
D99-81	Valve Bank to Suit BRAVO180SHKIT

## Geoline Valve



**G8386004**



**G8388004**



**G8388001**



**G8388000**

PART NUMBER	FUNCTION	DETAILS
G8386004	Regulating Valve	12V, 28seconds, 19mm Outlet, 40 bar, 100l/min
G8386010	Regulating Valve	12V, 7seconds, 19mm Outlet, 40 bar, 100l/min
G8386017	Regulating Valve	12V, 7seconds, 19mm Outlet, 40 bar, 200l/min
G8388000	Section Valve	12V, 0.2seconds, no Outlet, 20 bar, 45l/min, 2 wire
G8388002	Section Valve	12V, 0.2seconds, no Outlet, 20 bar, 45l/min, 3 wire
G8388001	Section Valve	12V, 0.2seconds, no Outlet, 20 bar, 45l/min, 2 wire, internal bypass facility
G8388005	Section Valve	12V, 0.2seconds, no Outlet, 20 bar, 45l/min, 3 wire, internal bypass facility
G8388004	Section Valve	12V, 0.2seconds, no Outlet, 20 bar, 120l/min, 2 wire, internal bypass facility
G8388015	Section Valve	12V, 0.2seconds, no Outlet, 20 bar, 120l/min, 3 wire, internal bypass facility

## ELECTRIC KITS AND LOOMS

CONTROLLER	POWER LOOM	SPRAYER LOOM	SPRAYER EXT LOOM	HYD FUNCTION EXT LOOM
G8406006 Control Box (2 section)	466550-080 (included with G8406006)	GC00900008 (3mtr 3 sect Sprayer Loom) or GC00900009 (5mtr 3 sect Sprayer Loom)	GC00900013 (3mtr 3 sect ext loom)	
G8406003 Control Box (3 section)	466550-080 (included with G8406003)	GC00900008 (3mtr 3 sect Sprayer Loom) or GC00900009 (5mtr 3 sect Sprayer Loom)	GC00900013 (3mtr 3 sect ext loom)	
G8406011 Control Box (5 section)	466550-080 (included with G8406011)	GC00900010 (3mtr 5 sect Sprayer Loom) or GC00900011 (5mtr 5 sect Sprayer Loom)	GC00900014 (3mtr 5 sect ext loom)	
467183203 Bravo 180S (2 sect)	467305-080 (included with 467183203)	467185403-100 (4mtr 4 sect Sprayer Loom)	467305-110 (3mtr 2,3, 4 & 5 sect ext loom)	
467183403 Bravo 180S (4 sect)	467305-080 (included with 467183403)	467185403-100 (4mtr 4 sect Sprayer Loom)	467305-110 (3mtr 2,3, 4 & 5 sect ext loom)	
467180501 Bravo 180S (5 sect)	467305-080 (included with 467180501)	467125-100 (6mtr 5 sect Sprayer Loom)	467305-110 (3mtr 2,3, 4 & 5 sect ext loom)	
467180553 Bravo 180S HYD (5sect with HYD funct)	467305-080 (included with 467180553)	467125-100 (6mtr 5 sect Sprayer Loom)	467305-110 (3mtr 2,3, 4 & 5 sect ext loom)	466700-090 (3mtr hyd ext)

## ORION ELECTRO MAGNETIC FLOW METER

- No moving parts for low maintenance
- High precision – not affected by turbulence
- Accuracy not affected by fluid density or viscosity change



CODE	ORION FLOWMETER TO SUIT 463 SERIES VALVES	FLOW CALIBRATION (PULSES/L)	CAT
4621AA10000	1-20 L/min	3000	B
4621AA30000	5-100 L/min	600	B
4621AA40000	10-200 L/min	300	B

## WOLF FLOW METER

- High precision at a reasonable price
- Tool free “Twist” system for paddle wheel cleaning or replacement
- LED to show operating status
- Fully sealed and watertight electronic sensor



CODE	WOLF FLOWMETER TO SUIT 463 SERIES VALVES	FLOW CALIBRATION (PULSES/L)	CAT
46262A0	2.5-50 L/min	1015	B
46263A0	5-100 L/min	625	B
46264A0	10-200 L/min	250	B
4626000-500	Replacement Paddle to Suit WOLF Flowmeter		B



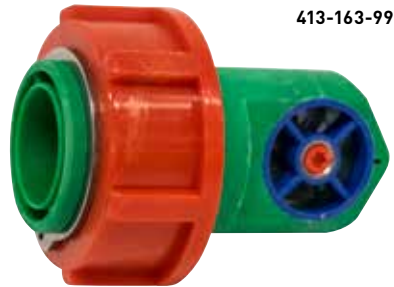
## POLMAC FLOW METER

- High precision flow meter
- Removeable turbine assembly for cleaning or replacement

4623862



413-163-99



413-164-99



118-4422

CODE	DESCRIPTION	CAT
4623862	10-200 L/min Flow Meter Body & Turbine Assembly (Excludes Sensor)	B
413-164-99	3-20 L/min Flow Meter Body & Turbine Assembly (Excludes Body and Sensor)	B
413-163-99	10-200 L/min Flow Meter Body & Turbine Assembly (Excludes Body and Sensor)	B
118-4422	Flow Sensor to Suit BRAVO Controller	B
118-4421	Flow Sensor to Suit FARMSCAN Controller	B

## FOAM MARKERS

Designed for the spray operator that can have a visual reference of the areas sprayed with a boom, eliminating expensive under or over lapping of chemicals.

- UV stabilised poly tanks
- 12 volt fully sealed, dust free diaphragm compressor with breather
- In cab remote mounted control box with wiring loom
- Valve for foam output adjustment
- 1L foam marker concentrate supplied with each unit

042M



### 14L MODEL - 042M

- 10m reinforced delivery hose and single foam dropper

### 16L MODEL - 042D-16S

- 16m delivery hose and double foam droppers
- In cab remote with On/Off & Left/Right control

042D-16S



### 57L MODEL - 042D-57

- 36m delivery hose and Double foam droppers
- In cab remote with On/Off & Left/Right control



042D-57  
SHOWN WITH 600L  
LINKAGE SPRAYER

CODE	DESCRIPTION	L	W	H	WT	CAT
042M	14L Foam Marker	570mm	195mm	340mm	12 kg	A
042D-16S	16L Foam Marker	570mm	210mm	460mm	14.5 kg	A
042D-57	57L Paddock Foam Marker	850mm	300mm	570mm	21 kg	A

## 3 SECTION ELECTRIC SOLENOID KIT – MEDIUM PRESSURE

M99-14

Suitable for most brands of 12 volt sprayers, motorised skid sprayers and linkage units with booms. Silvan medium pressure control kits are an effective way of controlling individual sections of your spray boom from the cab of a vehicle.

- Supplied with a multi section control box, mounting bracket and 5 metre electric wiring loom
- Master on/off switch to shut the entire boom off or switch individual sections off
- 3 x Goyen Solenoids, maximum operating pressure 10 bar/ 150psi
- Maximum open flow 65L/min per solenoid
- Extra components may be needed. Pressure regulator and hoses not included



CODE	DESCRIPTION	CAT
M99-14	3 Section Electric Solenoid Kit	A

## HIGH PRESSURE ELECTRIC SOLENOID SYSTEM – CONTROLS UP TO FOUR SOLENOIDS

Simply order the control box, wiring harness and up to 4 high pressure solenoids to develop your own cab controlled independent spray boom system.

### CONTROL BOX:

- With a 4 section switches, mounting bracket and 5 metre electric wiring loom
- Master on/off switch to shut the entire boom or switch individual sections on/off

*Note: Can connect up to 4 solenoids, sold separately.*



G8406076

CODE	DESCRIPTION	CAT
G8406076	4 Section Control Box And Mounting Bracket	B

## HIGH PRESSURE 12V SOLENOIDS

- Geoline high pressure Brass Solenoid 1/2" F BSP ports
- Maximum open flow 80L/Min. per Solenoid
- Maximum pressure 40Bar/580psi

*Extra components may be needed.  
Pressure regulator and hoses not included.*



G8388012



GC00902021

CODE	DESCRIPTION	CAT
GC00902021	4 Section Wiring Harness	B
G8388012	High Pressure Brass 40 Bar Solenoid	B

## SPRAYER CONTROL BOXES AND VALVES

### 2 SECTION AND PRESSURE

- Control box
- 2 on/off section and master on/off
- Pressure adjustment
- No gauge
- Suitable for motor valves not solenoids
- Supplied with Power Loom and Tractor Loom



G8406006

CODE	DESCRIPTION	CAT
G8406006	Control Box With Tractor Loom	B
GC00900008	3m Sprayer Loom	B
GC00900009	5m Sprayer Loom	B

## GOYEN ELECTRIC SOLENOID VALVE

Comprises a nylon body with either 1/2" x 1/2" barb, or 1/2" barb x 3/4" BSP thread, and is a servo-assisted solenoid.

- Ideal for fitting to single spray bars and features Viton diaphragms
- Requires 12V power and has pressure loss of 5psi across valve
- Max pressure 1000/145 kPa/psi

**GOYEN SOLENOID  
REPAIR KIT  
042-1-047K**



042-1-ST2-HR



042-1-ST-HV



042-1-ST2-6R



042-1-ST2-6

CODE	FLOW	SIZE BSP	LENGTH	WIDTH	HEIGHT	WT	CAT
042-1-ST2-HR	65 L/min	1/2" X 1/2" Barbs	90mm	70mm	50mm	200 g	B
042-1-ST2-6R	65 L/min	1/2" Barb X 3/4" BSP	90mm	70mm	50mm	200 g	B
042-1-ST-HV	65 L/min	1/2" X 1/2" Barbs	90mm	70mm	50mm	200 g	B
042-1-ST2-6	65 L/min	1/2" Barb X 3/4" BSP	90mm	70mm	50mm	200 g	B
042-1-047K	Goyen Solenoid Repair Kit						B

## FOAM MARKER/SPRAYER SOLENOID VALVE

JA-1502003

Offers the advantages of low energy requirements, instant response and the ability to remain in an energised (open) state indefinitely without overheating or failing.

- Suits 12-volt and 24-volt. 3/4" threaded inlet and outlet



CODE	DESCRIPTION	MAX PRESSURE	FLOW	CAT
JA-1502003	Solenoid Ideal For Foam Markers	800 kPa/116 PSI	37L/min	B
JA-1502030	Replacement Viton Diaphragm			B
JA-1502031	Solenoid Viton	116 PSI	37L/min	B

## DIRECTOVALVE CONTROL VALVES

AA144A-1

- Direct acting, large internal flow chamber without pilot hole reduces chance of clogging
- Corrosive resistant Stainless steel wetted parts
- Operation on 12V DC system
- Encapsulated solenoid coil can be changed without removing valve from system
- EPDM diaphragms and seat washer, Viton optional
- Continuous flow through bypass connection, with flow to spray line controlled by valve "on-off" action



## DIRECTOVALVE CONTROL VALVE

- 37.9 L/min flow with 0.35 bar pressure drop
- Can join with other 144A Directocontrol valves
- 2.5 Amp current draw
- Polypropylene body for chemical resistance
- Fabric reinforced diaphragms

CODE	INLET SIZE	OUTLET SIZE	FLOW RATE	MAX PRESSURE	CURR. DRAW	CAT
AA144A-1	3/4"	1/2"	37.9 L/min	700 kPa/102 PSI	2.5 Amp	B
AA144A-1-VI*	3/4"	1/2"	37.9 L/min	700 kPa/102 PSI	2.5 Amp	B
PK-AB144A-1-KIT		Standard Service Kit to Suit Directocontrol Valve				B
PK-AB144A-1-VI-KIT		Viton Service Kit to Suit Directocontrol Valve				B

\* Viton option

## 8460 SERIES HIGH FLOW REGULATOR

- Made from nylon and aluminium,
- Gauge port 1/4"
- Excellent chemical resistance
- Chatter free, responsive pressure control
- Available with 3/4" connections
- Sturdy high flow regulator



## 23120 SERIES REGULATOR

- Nylon body
- Stainless steel spring
- Gauge port 1/4"
- Excellent chemical resistance
- Positive lock nut to hold adjuster at your desired setting
- Available with 1/2" or 3/4" connections



CODE	DESCRIPTION	MAX FLOW	MAX PRESSURE	CAT
8460-3/4	Pressure Regulator, 3/4"	265L/min	2000 kPa/290 PSI	B
23120-1/2-PP	Pressure Regulator, 1/2"	35L/min	700 kPa/102 PSI	B
23120-3/4-PP	Pressure Regulator, 3/4"	55L/min	700 kPa/102 PSI	B

042J-06ST

## FREE STANDING SILMIX

Uses external water supply to activate venturi inductor at the base of the unit to transfer chemicals from hopper to sprayer tank. The same water supply operates the wash bar and drum rinse nozzle in the hopper. Transfer system requires minimum 2 Bar water pressure to operate.

- 30L polyethylene tank with 455mm hinged lid
- 3 on/off taps to control
- Powder washer bar inside hopper
- Drum rinse nozzle
- Chemical transfer venturi. Also has valve at base of unit to isolate the tank from the induction venturi



## AG RUNNER CHEMICAL TRANSFER PUMP

The Shurflo Ag Runner allows you to pump and measure chemical from the chemical container directly into the sprayer tank without the need for manually measuring or any other handling of the chemicals.

- Max Output: 40 L/min open flow, variable depending on viscosity
- Viton equipped pump
- Max. Pressure: 15psi
- 12V operation with 6m lead & alligator clips
- 1" x 3.6m suction / 1" x 3.6m delivery hoses
- Electrical meter



361-SF1105-PTS

CODE	DESCRIPTION	CAT
042J-06ST	Free Standing Silmix	A
361-SF1105-PTS	Ag Runner Chemical Transfer Pump Kit	A

# Pumps, Controls and Service Kits



**Silvan**

**GENUINE  
ACCESSORIES**

**Silvan**



# Motorised Diaphragm Pumps

Silvan motorised pumping units provide a go-anywhere pressure pumping unit in a wide range of sizes and capacities. Each unit consists of a matched engine and pump, control valve, base plate, hose connections and in most cases pressure gauge as standard equipment.

## MC20/20 4 STROKE

- Pressure accumulator with pressure gauge
- Honda engine GX120
- Oil backed diaphragm pump
- Direct coupled to motor
- Adjustable pressure regulator
- Inlet size: 19mm; Outlet size: 10mm
- 1 metre maximum suction lift



LBA-34C

## BP60/20 4 STROKE

- Pressure accumulator with pressure gauge
- Honda engine GX160
- Oil backed diaphragm pump
- Direct coupled to motor
- Adjustable pressure regulator
- 1 metre maximum suction lift
- Inlet size: 25mm; Outlet size: 12mm



LBA-38C

## APS41 4 STROKE

- Pressure accumulator with pressure gauge
- Honda engine GX160
- Oil backed diaphragm pump
- Direct coupled to motor
- Adjustable pressure regulator
- 1 metre maximum suction lift
- Inlet size: 25mm; Outlet size: 12mm
- Replacement pump code: **CAPS41**



LBA-42C

CODE	MAX. PRESSURE	MAXIMUM OUTPUT	OUTLETS	LENGTH	WIDTH	HEIGHT	WT	CAT
LBA-34C	2000/290 KPA/PSI	18.5 L/min	1	540mm	340mm	360mm	12 kg	A
LBA-38C	2000/290 KPA/PSI	58 L/min	3	720mm	425mm	470mm	24 kg	A
LBA-42C	4000/580 KPA/PSI	38 L/min	2	550mm	430mm	410mm	29 kg	A

## BP SERIES

All Silvan diaphragm pumps are built for 540 RPM operation, are Self-priming and designed so no special tools are required for service. Tough and reliable they will run dry without risk of damage. All pumps are supplied with appropriate hose connections, mounting base plates and 1 3/8" six splined shaft. Some models are available with keyed shaft.

All pumps are supplied ready to use with 40/20 motor oil in the Crankcase.

### BP20/15

Diaphragms: 2

Output @ 540 RPM: 19 L/min

Max. pressures (kPa/psi): 1500/218

HP required at max. pressure: 0.83HP

L x W x H (mm): 155 x 260 x 185

Weight (kg): 7.3

#### CONTROL VALVE TO SUIT

Attached (2 outlet)

Code: **C1204-528**

CBP02015



### BP60/20

Diaphragms: 2

Output @ 540 RPM: 58 L/min

Max. pressures (kPa/psi): 2000/290

HP required at max. pressure: 3.3HP

L x W x H (mm): 186 x 276 x 268

Weight (kg): 10.0

#### CONTROL VALVE TO SUIT

Attached (2 outlet)

Code: **C1204-528**

Remote mount (3 outlet)

Code: **C1204-034R**

Remote mount (4 outlet)

Code: **C1204-332**

CBP06020



### BP75/20

Diaphragms: 3

Output @ 540 RPM: 67 L/min

Max. pressures (kPa/psi): 2000/290

HP required at max. pressure: 3.5HP

L x W x H (mm): 278 x 277 x 271

Weight (kg): 10.0

#### CONTROL VALVE TO SUIT

Attached (2 outlet)

Code: **C1204-528**

Remote mount (3 outlet)

Code: **C1204-034R**

Remote mount (4 outlet)

Code: **C1204-332**

BP75/20



CODE	PUMP	CAT
CBP02015	BP20/15	A
CBP06020	BP60/20	A
CBP07515	BP75/20	A

# PTO Diaphragm Pumps

## BP110/20

Diaphragms: 3

Output @ 540 RPM: 110 L/min

Max. pressures (kPa/psi): 2000/290

HP required at max. pressure: 6.0HP

L x W x H (mm): 242 x 284 x 275

Weight (kg): 13

### CONTROL VALVE TO SUIT

Attached (3 outlet)

Code: **C1204-191**

Remote mount (4 outlet)

Code: **C1204-332**

CBP11020



## BP125/20

Diaphragms: 3

Output @ 540 RPM: 121 L/min

Max. pressures (kPa/psi): 2000/290

HP required at max. pressure: 6.8HP

L x W x H (mm): 278 x 256 x 273

Weight (kg): 12.3

### CONTROL VALVE TO SUIT

Attached (3 outlet)

Code: **C1204-191**

Remote mount (4 outlet)

Code: **C1204-332**

CBP12520



## BP135/20

Diaphragms: 3

Output @ 540 RPM: 124 L/min

Max. pressures (kPa/psi): 2000/290

HP required at max. pressure: 7.1HP

L x W x H (mm): 280 x 310 x 275

Weight (kg): 14.3

### CONTROL VALVE TO SUIT

Attached (3 outlet)

Code: **C1204-191**

Remote mount (4 outlet)

Code: **C1204-332**

CBP13520



CODE	PUMP	CAT
CBP11020	BP110/20	A
CBP12520	BP125/20	A
CBP13520	BP135/20	A

# Diaphragm Pump Controls

Silvan control valves regulate spray pressure, direct the flow of spray liquid from the pump to the spray nozzles and bypass excess liquid back to the tank, in most cases through an agitator.

All feature adjustable pressure regulator, glycerine filled gauge, hose connections, mounting kits where applicable, on/off directional valves and bypass lock position.

## 3 OUTLET ON/OFF CONTROL VALVE

3 outlet control, pressure regulator, bypass valve, gauge. Features quick action on/off ball valves



C1204-191

## 2 OUTLET ON/OFF CONTROL VALVE

2 outlet control, pressure regulator, bypass valve, gauge



C1204-528

## REMOTE CONTROL MOUNTING KIT



C5004-05

## 3 OUTLET

3 outlet control, pressure regulator, bypass valve, gauge. Manufactured from Rilsan Plastic. Controls include remote mount kit (C5004-05)



C1204-034R

## 4 OUTLET

One lever 4 outlet control shuts all boom sections off by simply flicking main lever to one side, standard with dual stage gauge. Supplied with remote bracket kit (C5004-05)



C1204-332

CODE (ATTACHED)	CONTROL VALVE	PUMP APP	HOSE INLET	SIZE OUTLET	BYPASS HOSE	MAX. PRESS.	MAX. FLOW	CAT	
C1204-528	2 Outlet	BP20/15	19mm	13mm	13mm	1500/218	40L/min	B	
C1204-457	2 Outlet	APS41	19mm	10mm	13mm	4000/580	40L/min	B	
C1204-191	3 Outlet	BP60/20, BP125/20	19mm	10mm	23mm	2000/290	100L/min	B	
CODE (REMOTE)	CONTROL VALVE	PUMP APP	HOSE INLET	SIZE OUTLET	BYPASS HOSE	MAX. PRESS.	MAX. FLOW	CAT	
C1204-034R	3 Outlet	BP60/20	19mm	13mm	23mm	2000/290	60L/min	B	
C1204-332	4 Outlet	BP60/20, BP125/20	19mm	13mm	23mm	2000/290	150L/min	B	
SERVICE KITS									
C5004-05	Remote Control Mounting Kit								B
CSN5	Service Kit to Suit 2 Outlet Control Valve ( C1204-528 )								B
CSN2	Service Kit to Suit 3 Outlet Control Valve ( C1204-191, C1204-195 )								B
CSN3	Service Kit to Suit 3 Outlet Control Valve ( C1204-034R )								B
CSN1	Service Kit to Suit 4 Outlet Control Valve ( C1204-332 )								B

## APS SERIES

All Silvan APS series high pressure diaphragm pumps are built for 540 RPM operation, are self-priming and feature a corrosion resistant cast anodised aluminium body. Tough and reliable they will run dry without risk of damage. All pumps are supplied with appropriate hose connections, mounting base plates and 1 3/8" six splined shaft.

### APS71

- Diaphragms: 3
- Output @ 540 RPM: 67 L/min
- Max. pressures (kPa/psi): 5000/725
- Shaft: Male – Female or Male – Male
- HP required at max. pressure: 9.1
- L x W x H (mm): 238 x 343 x 289
- Weight (kg): 18.4



### APS96

- Diaphragms: 4
- Output @ 540 RPM: 88 L/min
- Max. pressures (kPa/psi): 5000/725
- Shaft: Male – Female or Male – Male
- HP required at max. pressure: 11.7
- L x W x H (mm): 236 x 345 x 340
- Weight (kg): 22.5



### APS121

- Diaphragms: 3
- Output @ 540 RPM: 115 L/min
- Max. pressures (kPa/psi): 5000/725
- Shaft: Male – Male
- HP required at max. pressure: 14.5
- L x W x H (mm): 329 x 387 x 356
- Weight (kg): 38



#### MODEL SPECIFICATIONS

PUMP	L/MIN @50 BAR MAX PRESSURE	kPA	KG	SHAFT	CODE
APS71	71	4000	16.5	Male - Female	CAPS071
APS71	71	4000	16.5	Male - Male	CAPS071S
APS96	95	4000	21.5	Male - Female	CAPS096MF
APS96	95	4000	21.5	Male - Male	CAPS096
APS121	115	5000	36.0	Male - Male	CAPS121

## APS145

- Diaphragms: 4
- Output @ 540 RPM: 142 L/min
- Max. pressures (kPa/psi): 5000/725
- Shaft: Male – Male
- HP required at max. pressure: 18
- L x W x H (mm): 342 x 380 x 420
- Weight (kg): 46



## APS166

- Diaphragms: 5
- Output @ 540 RPM: 163 L/min
- Max. pressures (kPa/psi): 5000/725
- Shaft: Male – Male
- HP required at max. pressure: 20.5
- L x W x H (mm): 370 x 389 x 420
- Weight (kg): 56



## BRASS MANUAL CONTROL VALVE BRA-17020623



### MODEL SPECIFICATIONS

PUMP	L/MIN @50 BAR MAX PRESSURE	kPA	KG	SHAFT	CODE
APS145	145	5000	51.0	Male - Male	CAPS145
APS166	163	5000	51.0	Male - Male	CAPS166
BRASS MANUAL CONTROL VALVE	Suitable for APS series, IDS1701 pumps				BRA-17020623

# High Pressure Diaphragm Pumps

## IDS SERIES

All Silvan IDS series high pressure diaphragm pumps are built for 540 RPM operation, are self-priming & feature a corrosion resistant cast anodised aluminium body with brass heads and manifold. Tough and reliable they will run dry without risk of damage. All pumps are supplied with appropriate hose connections, mounting base plates and 1 3/8" six splined shaft.

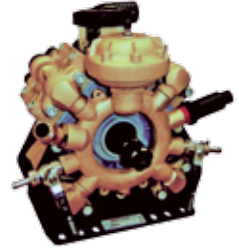
### IDS960

- Diaphragms: 4
- Output @ 540 RPM: 93 L/min
- Max. pressures (kPa/psi): 5000/725
- Shaft: Male – Male
- HP required at max. pressure: 11.5
- L x W x H (mm): 268 x 350 x 334
- Weight (kg): 30.3

### IDS1401

- Diaphragms: 3
- Output @ 540 RPM: 135 L/min
- Max. pressures (kPa/psi): 5000/725
- Shaft: Male – Male
- HP required at max. pressure: 16.6
- L x W x H (mm): 298 x 404 x 396
- Weight (kg): 45

IDS960 / IDS1401



IDS1701 / IDS2001

### IDS1701

- Diaphragms: 4
- Output @ 540 RPM: 161 L/min
- Max. pressures (kPa/psi): 5000/725
- Shaft: Male – Male
- HP required at max. pressure: 19.9
- L x W x H (mm): 298 x 499 x 396
- Weight (kg): 60

### IDS2001

- Diaphragms: 4
- Output @ 540 RPM: 182 L/min
- Max. pressures (kPa/psi): 5000/725
- Shaft: Male – Male
- HP required at max. pressure: 22.4
- L x W x H (mm): 298 x 499 x 369
- Weight (kg): 60



### IDS2200

- Diaphragms: 6
- Output @ 540 RPM: 208 L/min
- Max. pressures (kPa/psi): 5000/725
- Shaft: Male – Male
- HP required at max. pressure: 26.2
- L x W x H (mm): 357 x 463 x 500
- Weight (kg): 76

### IDS2600

- Diaphragms: 6
- Output @ 540 RPM: 249 L/min
- Max. pressures (kPa/psi): 5000/725
- Shaft: Male – Male
- HP required at max. pressure: 32.1
- L x W x H (mm): 357 x 463 x 500
- Weight (kg): 76

IDS2200 / IDS2600



#### MODEL SPECIFICATIONS

PUMP	L/MIN @50 BAR MAX PRESSURE	kPA	KG	SHAFT	CODE
IDS960	93	5000	30.3	Male - Male	CDS960
IDS1401	135	5000	45	Male - Male	CDS1401
IDS1701	161	5000	76.0	Male - Male	CDS1701
IDS2001	182	5000	76.0	Male - Male	CDS2001
IDS2200	208	5000	60.0	Male - Male	CDS2200-1
IDS2600	249	5000	60.0	Male - Male	CDS2600-1

## PUMP SERVICE KITS

Our service kits have everything you need to service your pump or control valve in one convenient package, making regular maintenance or running repairs much more simple. Silvan all-in-one service kits are the most economical way to purchase the individual parts required. They will also prove invaluable for those emergency on the spot repairs.



CODE	TO SUIT PUMP	MATERIAL	SHAFT	CAT
CSK2015	BP20/15	NBR	SPLINED	B
C5026-245	APS41	NBR	SPLINED	B
CSK48	P38 / P48	NBR	SPLINED	B
CSK6020S	BP60/20	NBR	SPLINED	B
CSK6020K	BP60/20	NBR	KEYED	B
C5026-197	BP60/20 (D)	DESMOPAN	SPLINED	B
C5026-198	BP60/20 (V)	VITON	SPLINED	B
C5026-314	BP75/20	NBR	SPLINED	B
C5026-374**	BP110/20	NBR	SPLINED	B
CSK10520S	BP105/20, BP125/20S	NBR	SPLINED	B
C5026-199	BP105/20, BP125/20K	NBR	KEYED	B
C5026-375**	BP135/20	NBR	SPLINED	B
C5026-205	BP151/20	NBR	SPLINED/30mm KEYED	B
CSKAPS71	APS71	NBR	SPLINED	B
C5026-228	APS96	NBR	SPLINED	B
CSKAPS121	APS121	NBR	SPLINED	B
C5026-222	APS145	NBR	SPLINED	B
CSKAPS166	APS166 APS141	NBR	SPLINED	B
C5026-346*	IDS960	NBR	SPLINED	B
C5026-278*	IDS140	NBR	SPLINED	B
C5026-279*	IDS1701, IDS2001	NBR	SPLINED	B
C5026-208	IDS2200/2600	NBR	SPLINED	B
C5026-207	MC19/20** 20/20	NBR	KEYED	B
CSKMP40	CMP40	NBR	SPLINED	B

D = Desmopan diaphragms (long lasting); S = Splined model pump; K = Keyed model pump;

V = Viton diaphragms (longest lasting); NBR = Nitrile / Buna rubber

\*Service kits include valve assemblies, accumulator diaphragm, piston diaphragms only.

\*\*Service kits include valve assemblies, piston diaphragm, viewer gasket, manifold O'rings and outlet tail only.



## PTO Shafts

101051BA



101071BA



103-AB1090



103-AB4075



105081QR



106066QR



CS8081CV



1K6081CV



CODE	DESCRIPTION	SPRAYER (AS STANDARD)
101051BA	Series 1	TPL (200 - 600L)
101071BA	Series 1	TPL (800 - 1100L)
103-AB1090	Series 1	TPL (1600 - 1900L)
103-AB4075	Series 4	Suntuff, Compact Supaflo, Oktopus, Cannon Jet, Casotti, Trailed Pasture Sprayer
105081QR	Series 5	TPL Turbomiser (P42, P45, P50)
106066QR	Series 6	TurboSCRAM, TPL Turbomiser (P55)
1K6081CV	Series 6 Constant Velocity	Turbomiser (single row), Supaflo (std), Stiletto (std)
CS8081CV	Series 8 Constant Velocity	G2 Supaflo, G2E Supaflo, TGS, Supaflo (Powerhead, Radak), Stiletto (Powerhead, Radak), Turbomiser (multi-row)

# Hypro®

## HYDRAULIC MOTOR DRIVEN PUMP

- Hydraulic motor drive (for open centre, closed centre and load-sensing systems)
- Viton centrifugal shaft seals and double lip Teflon hydraulic motor seal standard
- 1 1/2" NPT inlet, 1 1/4" NPT outlet
- Max. fluid temperature 60°
- C = Cast iron housing and glass filled nylon impeller
- S = Stainless steel housing
- SP + Self-priming
- Internal gear gerotor motor
- 1/2" NPT hydraulic ports

*Note: hydraulic hoses and fittings are not included*

**SELF-PRIMING  
CHAMBER**

**9303S-HM5C-SP**



**9303C-HM4C**

CODE	PUMP MAX	MAX. HYD. FLOW	MAX. PRESS. KPA/PSI	MAX. RPM	WEIGHT (KG)	CAT
9303C-HM4C	350L/min	26.5 L/min	655/95	6000	19.5 kg	A
9303S-HM4C-SP	350L/min	26.5 L/min	655/95	6000	19.5 kg	A
9303C-HM5C	350L/min	60 L/min	655/95	6000	19.5 kg	A
9303S-HM5C-SP	350L/min	60 L/min	655/95	6000	19.5 kg	A
SERVICE KIT CODES	3430-0332	Service kit to suit 9303C				B
	3430-0589	Service kit to suit 9303S				B

## MULTISTAGE CENTRIFUGAL PUMP

- High efficiency (low oil flow)
- Compact (480 x 147 x 188mm)
- Flow rate 400 L/min @ 8 bar (4200 RPM)
- Excellent chemical compatibility

**MP400**



CODE	PUMP MAX	MAX. HYD. FLOW	MAX. PRESS. KPA/PSI	MAX. RPM	WEIGHT (KG)	CAT
97005021	517 L/min	26.5 L/min	750/109	4200	kg	A
97005001	560 L/min	49.2 L/min	1060/154	4200	kg	A
97005031	567 L/min	64.3 L/min	1100/160	4200	kg	A

# 12V Pumps

Aquatec pumps are of the highest quality and are exclusive to Silvan. Aquatec are a leading American manufacturer of pumps which are of proven durability with minimal maintenance. Constant Flow Technology provides consistent spraying without pulsation.



Scan here to see the Smoothflo in action!

**RETROFITS TO MOST BRANDS OF SPRAYERS**

## AQUATEC SMOOTHFLO 12V PUMP

- Smooth flow and even pressure
- 7 L/min or 120 psi max.
- Pump adapts to changes in output volume to maintain higher flows under increasing pressure
- Fitted with on/off demand pressure sensing switch



**DDP-552A  
(9 AMPS)**



## AQUATEC HIGH CAPACITY 12V PUMP

Used where higher volume is required such as boomless nozzle spraying and larger boom spraying.

- 20 L/min open flow 60 psi (413 kPa)
- Supplied with 5D connections: 2 x 1/2" and 2 x 3/4"
- Rated for continuous duty for pressures up to 40 psi, above 40 psi it has a intermittent duty rating
- Fitted with ON/OFF demand pressure sensing switch



**DDP-550  
(18 AMPS MAX.)**

## AQUATEC 26.5 L/MIN 12V PUMP

- 26.5 L/Min capacity (open flow)
- 60 psi/413 kPa max pressure
- Viton valves and a Santoprene diaphragm
- Supplied with 5D connections: 2 x 1/2" and 2 x 3/4"



**DDP-551  
(22.4 AMPS MAX.)**

## AQUATEC HIGH PRESSURE 12V PUMP

- Smooth flow and even pressure
- 5 L/Min capacity (open flow)
- 200 psi/1378 kPa max pressure
- Viton valves and a Santoprene diaphragm



**DDP-554  
(16 AMPS)**



CODE	OPEN FLOW	PRESSURE KPA/PSI	VALVES MAT.	DIAPHRAGM MATERIAL	DUTY RATING	PORT SIZE/TYPE	CAT
DDP-552A	7 L/min	690/120	Viton	Santo	-	3/8" BSP Female	A
DDP-550	20 L/min	413/60	Viton	Santo	Continuous to 40PSI	5D Quick Connection	A
DDP-551	26.5 L/min	413/60	EPDM	Santo	Continuous to 10PSI	5D Quick Connection	A
DDP-554	5 L/min	1378/200	EPDM	Santo	-	3/8" BSP Female	A

## 12V Pumps

Selecta 12V Pak Pumps are high quality positive displacement diaphragm pumps that can run dry without damage. All pumps feature an on/off demand pressure switch with standard BSP thread connections or hose barbs.

### 12V SELECTA PAK PUMP (381-38)

The 381-38 is ideal for spot spraying applications where a single nozzle is used.

- 2.4 L/min open flow 60 psi/413 kPa max.
- 1.7 Amps



381-38  
(1.7 AMPS)

### 12V SELECTA PAK PUMP (381-2000)

The 381-2000 is the ideal mid-range pump for spot spraying applications or small boom spraying.

- 5.3 L/min open flow 60 psi/413 kPa max.
- 7.3 Amps



381-2000  
(7.3 AMPS)

### 12V SELECTA PAK PUMP (381-125)

This larger flow rate pump is ideal for boom spraying or fluid transfer applications.

- 12.5 L/min
- Supplied with filter as pictured
- 7.0 Amps



381-125\*  
(7.0 AMPS)

CODE	PRESSURE KPA/PSI	VALVES MAT.	DIAPHRAGM MATERIAL	PRESS. SWITCH	DUTY RATING	PORT SIZE/TYPE	CAT
381-38	413/60	Viton	TPU	Yes	Intermittent	8mm tail	A
381-2000	413/60	Viton	Santo	Yes	Continuous	3/8" BSP F	A
381-125*	240/35	Viton	TPU	Yes	Intermittent	12.5mm tail	A
381-125-05	Replacement quick connect filter to suit 381-125 Pak Pump (shown attached)						B

\* Supplied standard with filter (as pictured)

# 12V Pumps

## SLV SERIES 12V DC PUMP

- 3.8 L/min open flow



361-SLV10-AA40;  
(1.9 AMPS)

## 8000 SERIES 12V DC PUMP

There are two 8000 series Shurflo pumps available, ranging from 4.5L/min to 6.8L/min open flow and to max. 60psi. A versatile pump ideal for agricultural and industrial applications. Full Viton equipped pump available (361-8000-342-136).



361-8000;  
(7.3 AMPS)

## 2088 SERIES 12V DC PUMP

The 2088 series diaphragm pump is an ideal choice for higher flow applications such as boom spraying and fluid transfer.



361-2088;  
(8.0 AMPS)

## FIN COOLED 12V DC PUMP

Ideal for larger duty cycle application, aluminium heat sink crankcase design dissipates heat build up from electric motor. Capacity 13.6L/min open flow, max. pressure 310 kPa (45 psi). On/off demand pressure switch, 1/2" Male ports, Viton valves, Santoprene diaphragm.



361-2088-313-145;  
(10.1 AMPS)

## 24V DC PUMP

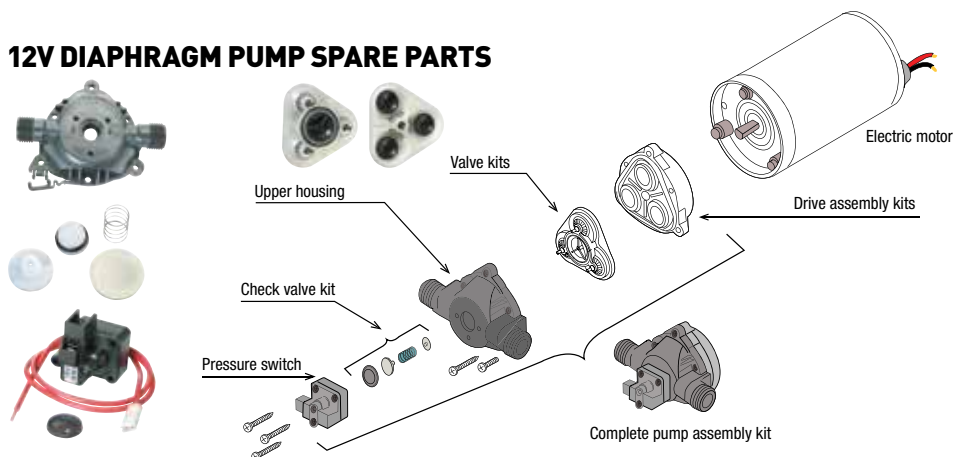
Available in 11.3L/min, 310kPa (45psi) open flow with on/off demand pressure switch. Compact size 1/2" BSP male ports. Suited to machines fitted with 24V DC system eg. bulldozers, trucks and road sweepers.



361-2088-474-144;  
(2.5 AMPS @ 24V DC)

CODE	OPEN FLOW	PRESS. KPA/PSI	VALVES MAT	DIAPH MAT	DUTY RATING	PORT SIZES	CAT
361-SLV10-AA40	3.8 L/min	275/40	Viton	Santo	Intermittent	3/8" Hose Barbs	A
361-8000	6.8 L/min	413/60	Viton	Santo	Continuous	1/2" BSP Male	A
361-8000-342-136	4.5 L/min	413/60	Viton	Viton	Continuous	1/2" BSP Male	A
361-2088	11.3 L/min	310/45	Viton	Santo	Intermittent	1/2" BSP Male	A
361-2088-313-145	13.6 L/min	310/45	Viton	Santo	Continuous	1/2" BSP Male	A
361-2088-474-144	11.3 L/min	310/45	Santo	Santo	Intermittent	1/2" BSP Male	A

## 12V DIAPHRAGM PUMP SPARE PARTS



## PRESSURE SWITCHES

CODE	SUITS PUMPS	MAX. PRESSURE	CAT
361-94-375-05	8000 Series With Viton Dphm (361-8000-342-136)	60PSI	B
361-94-375-06	8000 Series With Santo Dphm* (361-8000)	60PSI	B
361-94-375-18	8002 Series With Santo Dphm	100PSI	B
361-94-229-03	8090 Series With Viton Dphm	60PSI	B
361-94-229-05	8090 Series With Viton Dphm	100PSI	B
361-94-230-35	2088 Series With Santo Dphm* (361-2088)	45PSI	B
361-94-230-36	2088 Series With Viton Dphm	45PSI	B
361-94-230-55	2088 Series Fin Cooled (361-2088-313-145)	45PSI	B
381-2000-03	381-2000 (Excludes Check Valve Kit)	60PSI	B
381-125-04	381-125	35PSI	B
5503-PSW	DDP-550	60PSI	B
5504-PSW	DDP-551	60PSI	B
5880-PSW	DDP-552A	120PSI	B

## UPPER HOUSINGS

CODE	SUITS	CAT
361-94-378-00	8000 Series Pumps With 1/2" Male Ports	B
361-94-231-30	2088 Series Pumps With 1/2" Male Ports	B
361-94-231-05	2088 Series Pumps With 1/2" Male Ports And Viton Pressure Switch	B
5503-UHA	DDP-550 With 5D Quick Connectors (Inc Pressure Switch)	B
5504-UHA	DDP-551 With 5D Quick Connectors (Inc Pressure Switch)	B
5880-UHA	DDP-552A Series Pump With 3/8" Female BSP Ports	B

## VALVE KITS

CODE	SUITS	CAT
361-94-390-05	8000 Series Pumps Viton Valve Kit (Blk)	B
361-94-232-05	2088 Series Pumps Viton Valve Kit	B
361-94-232-00	2088 Series Pumps Santo Valve Kit For 24V Model	B
5503-VHA	DDP-550 Viton Valve Kit	B
5504-VHA	DDP-551 EPDM Valve Kit	B
5880-VHA	DDP-552 Viton Valve Kit	B

# 12V Pump Service Kits



## DRIVE ASSEMBLY KITS

CODE	SUITS	CAT
361-94-385-32	8000 Series Pumps With Santo Diaphragm 361-8000 (Pumps Made After March 1999)	B
361-94-238-04	2088 Series Pumps With Santo Diaphragm	B
361-94-238-03	2088 DHP with Santo Diaphragm	B
5503-LHA	DDP-550 with Santo Diaphragm	B
5504-LHA	DDP-551 with Santo Diaphragm	B
5880-LHA	DDP-552 with Santo Diaphragm	B

## CHECK VALVE KIT

CODE	SUITS	CAT
361-94-374-16	8000 Series Pumps with EPMD Valve Kits	B
361-94-374-05	8000 Series Pumps with Viton Valve Kits	B
361-94-237-00	2088 Series Pumps with Santo Valve Kits	B
361-94-237-05	2088 Series Pumps with Viton Valve Kits	B

## DIAPHRAGM KITS (BARE DIAPHRAGM TO SUIT CERTAIN MODELS)

CODE	SUITS	CAT
361-94-395-05	361-800-342-136 Viton-Viton Pump	B
361-94-395-06	361-8000 (made pre March 99)	B
361-94-238-04	2088 Series Pumps with Santo Diaphragm	B
361-94-238-03	Obsolete DHP Model With Santo Diaphragm	B

## 12V PUMP SUCTION / DELIVERY FITTINGS

PUMP	STRAIGHT 8MM BARB	ELBOW 8MM BARB	STRAIGHT 3/8" BARB	ELBOW 3/8" BARB	STRAIGHT 1/2" BARB	ELBOW 1/2" BARB	STRAIGHT 3/4" BARB	ELBOW 3/4" BARB
DDP-550	NA	NA	NA	NA	QBS-554	QBE-554	QBS-556	QBE-556
DDP-551	NA	NA	NA	NA	QBS-554	QBE-554	QBS-556	QBE-556
DDP-552	HB3814	320-60806	361-8-145-01 & 361-234-2916	361-8-145-01 & 361-234-3916	361-8-145-01 & 361-234-2926	361-8-145-01 & 361-234-3926	NA	NA
DDP-554	HB3814	320-60806	361-8-145-01 & 361-234-2916	361-8-145-01 & 361-234-3916	361-8-145-01 & 361-234-2926	361-8-145-01 & 361-234-3926	NA	NA
DDP-555	NA	NA	NA	NA	QBS-554	QBE-554	QBS-556	QBE-556
381-2000	HB3814	320-60806	361-8-145-01 & 361-234-2916	361-8-145-01 & 361-234-3916	361-8-145-01 & 361-234-2926	361-8-145-01 & 361-234-3926	NA	NA
381-125	NA	NA	NA	NA	381-125-02	381-125-03	NA	NA
361-8000	NA	NA	361-234-2916	361-234-3916	361-234-2926	361-234-3926	NA	NA
361-2088	NA	NA	361-234-2916	361-234-3916	361-234-2926	361-234-3926	NA	NA
361-2088-313-145	NA	NA	361-234-2916	361-234-3916	361-234-2926	361-234-3926	NA	NA
361-2088-474-144	NA	NA	361-234-2916	361-234-3916	361-234-2926	361-234-3926	NA	NA





# Plumbing, Filtration & Tank Accessories

**Silvan**

**GENUINE  
ACCESSORIES**





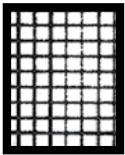
## FILTRATION

Efficient filtration is an important component of every sprayer and prevents blocked nozzles, reduce or inhibit pump wear and reduce down time and expense due to repairs. Silvan offers a choice of foot, suction, pressure line, nozzle and high volume irrigation filters to suit most applications.

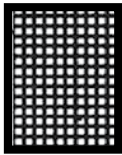
## GRADUATED OR PROGRESSIVE FILTRATION?

Filtration is ideally applied in stages, starting with a coarse mesh progressing to finer mesh sizes as liquid moves towards the spray tip. Filter mesh is described in terms of the number of wires per linear inch, which relates to the size of the apertures through which liquid passes. The larger the mesh number the smaller the aperture and the finer the filtration.

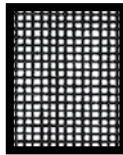
### COARSE FILTRATION



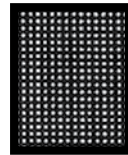
20 Mesh/inch  
0.6mm Aperture



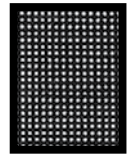
30 Mesh/inch  
0.4mm Aperture



50 Mesh/inch  
0.3mm Aperture



80 Mesh/inch  
0.18mm Aperture



100 Mesh/inch  
0.14mm Aperture

## STAGES OF FILTRATION

### STAGE A – INTO THE TANK

**COARSE FILTRATION:** Liquid passing into the tank is filtered by the foot filter or the lid basket strainer.

### STAGE B – FROM TANK TO PUMP

**COARSE/MEDIUM FILTRATION:** Suction filters provide protection for the pump and screen out larger particles.

### STAGE C – FROM PUMP TO SPRAYLINES

**MEDIUM/FINE FILTRATION:** Pressure line filters are used to remove finer particles before nozzle holders.

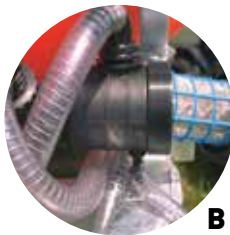
- Large pressure line/flushing filter is ideally fitted between pump and pressure regulator.
- Small pressure line filters are usually fitted in each boom section spray line.

### STAGE D – SPRAY TIP FILTERS

**FINE FILTRATION:** Last stage of filtration before the spray tip, usually 50 mesh or finer.



A



B



C



D

## SUCTION LINE FILTERS

Suction line filters provide filtration to remove larger particles of grit and are ideally mounted between the tank and pump. Featuring 8mm threaded brass inserts and mounting bolts for easy adaptation to frames and chassis etc. Screw off bowl for easy cleaning.

SAR2/V and SAR3/V models feature auto shut-off action valve which closes off the supply line while removing element for cleaning. Supplied with mesh elements and replacement elements are available.

LSA-310058



LSA-312158



LSA-314163



LSA-316063



LSA-314463



LSA-316573



CODE	FILTER TYPE	MESH SIZE	FLOW L/MIN	PORT SIZE BSP	MOUNT INSERTS	WIDTH	HEIGHT	CAT
LSA-310058	SAR0	32	UP TO 60	1 1/4"	2	107mm	163mm	B
LSA-312158	SAR1	32	UP TO 100	1 1/4"	2	107mm	213mm	B
LSA-314163	SAR2	50	UP TO 160	1 1/2"	3	122mm	233mm	B
LSA-316063	SAR3	50	UP TO 180	1 1/2"	3	170mm	292mm	B
LSA-316173	SAR3	50	UP TO 220	2"	3	170mm	292mm	B
LSA-314463*	SAR2/V	50	UP TO 150	1 1/2"	3	140mm	260mm	B
LSA-314563*	SAR2/V	50	UP TO 150	1 1/2"	3	122mm	278mm	B
LSA-316573*	SAR3/V	50	UP TO 220	2"	3	170mm	329mm	B

\*Include a shut off valve

## Filters

### MESH ELEMENTS – SUCTION LINE FILTERS

Efficient filtration is an important component of every sprayer. Effective filtration through the use of the correct suction filter/element will screen out any larger particles and provide protection for the pump.



GC00100021



GC00100012



GC00100008

**"O" RINGS NOT INCLUDED - SEE BELOW**

CODE	FILTER TYPE	MESH SIZE	NEW COLOUR	OLD COLOUR	WIDTH	HEIGHT	CAT
GC00100021	SAR1	50	BLUE	BLUE	70mm	150mm	B
GC00100012	SAR2/SAR2/V	50	BLUE	BLUE	80mm	165mm	B
GC00100008	SAR3/SAR3/V	32	RED	WHITE	107mm	200mm	B
GC00100009	SAR3/SAR3/V	50	BLUE	BLUE	107mm	200mm	B

'O' RINGS CODE	DESCRIPTION	CAT
C1210-150	To Suit GC00100021	B
GG00001040	To Suit GC00100012	B
GC00001042	To Suit GC00100008, GC00100009	B

AAB122ML

### IN-LINE TEEJET PRESSURE FILTER 122 SERIES

*TeeJet*

Mountable design, 1/2" or 3/4" female BSPT nylon construction with stainless steel screen. Ideal for spot sprayers or small booms. Maximum pressure 10 BAR. This filter assembly is fully mountable with female brass threads moulded into its housing.



80#



100#

CODE	DESCRIPTION	MESH SIZE	MESH COLOUR	FLOW L/MIN	THREAD	CAT
AAB122ML-1/2-PP-50	Filter Assembly	50	BLUE	45	1/2"	B
AAB122ML-3/4-PP-50	Filter Assembly	50	BLUE	60	3/4"	B
AAB122ML-1/2-PP-80	Filter Assembly	80	YELLOW	45	1/2"	B
AAB122ML-3/4-PP-80	Filter Assembly	80	YELLOW	60	3/4"	B
AAB122ML-1/2-PP-100	Filter Assembly	100	GREEN	45	1/2"	B
AAB122ML-3/4-PP-100	Filter Assembly	100	GREEN	60	3/4"	B
CP45102-3-SSPP	Screen	50	BLUE			B
CP45102-4-SSPP	Screen	80	YELLOW			B
CP45102-5-SSPP	Screen	100	GREEN			B
CP23173-VI	Housing O-ring (viton)		-	-	-	B

**Silvan**

## IN-LINE TEEJET PRESSURE FILTER 126ML SERIES

14 BAR/203psi pressure rating at 38°C 1 1/2"  
BSPT female inlet/outlets, polypropylene construction,  
high strength 1" bypass line on bowl.

Available with 30, 50, 80 or 100 stainless steel mesh.



50# 80# 100# 120#

AAB126ML-6-\*\*



CODE	DESCRIPTION	MESH SIZE	MESH COLOUR	FLOW L/MIN	THREAD	CAT
AAB126ML-6-30	Filter Assembly	30	RED	291	1 1/2"	B
AAB126ML-6-50	Filter Assembly	50	BLUE	291	1 1/2"	B
AAB126ML-6-80	Filter Assembly	80	YELLOW	291	1 1/2"	B
AAB126ML-6-100	Filter Assembly	100	GREEN	291	1 1/2"	B
CP15941-1-SSPP	Filter Cartridge	16	BROWN RED	-	-	B
CP15941-2-SSPP	Filter Cartridge	30	RED	-	-	B
CP15941-3-SSPP	Filter Cartridge	50	BLUE	-	-	B
CP15941-4-SSPP	Filter Cartridge	80	YELLOW	-	-	B
CP15941-5-SSPP	Filter Cartridge	100	GREEN	-	-	B
CP15941-6-SSPP	Filter Cartridge	120	BROWN	-	-	B
CP48656-EPDM	Housing O-ring (EPDM)	-	-	-	-	B

## IN-LINE TEEJET PRESSURE FILTER 126ML SERIES

- 3/4" BSPT nylon construction, 87 L/min max flow
- Maximum pressure ratings 10 BAR/145psi
- Available with 16, 30, 50, 80 or 100 stainless steel mesh filters.



50# 80# 100#

AAB126ML-3



CODE	DESCRIPTION	MESH SIZE	MESH COLOUR	FLOW L/MIN	THREAD	CAT
AAB126ML-3	Housing Only	-	-	87	3/4"	B
CP16903-1-SSPP	Screen	16	BROWN RED	-	-	B
CP16903-3-SSPP	Screen	30	RED	-	-	B
CP16903-4-SSPP	Screen	50	BLUE	-	-	B
CP16903-5-SSPP	Screen	80	YELLOW	-	-	B
CP16903-6-SSPP	Screen	100	GREEN	-	-	B
CP50494-EPR	Housing O-ring (EPDM)	-	-	-	-	B

## PRESSURE LINE STRAINERS

Pressure line strainers are ideal for placing in hose lines between pump and spray lines for finer filtration. They remove fine particles preventing spray tip blockage or excessive wear. Polypropylene or brass construction, mesh element standard, twist-off bowl for easy cleaning. Some models feature a clean flushing tap. Pressures range from 1000 kPa (145 psi) to 5000 kPa (725 psi) maximum, flow from 70 to 150 L/min.



BRA-M147



G8135002



PLF-324024A

CODE	MAX PRESS KPA/PSI	FLOW MAX	PORT SIZE BSP	MOUNT. INSERTS	WIDTH	HEIGHT	MAT	CAT
BRA-M147	5000/725	70 L/min	1/2" F	-	90mm	155mm	BRASS	B
G8135002	5000/725	150 L/min	3/4" F	2	100mm	240mm	POLY	B
PLF-324024A	1000/145	100 L/min	1/2" F	2	97mm	134mm	POLY	B
PLF-324034A	1000/145	100 L/min	3/4" F	2	97mm	134mm	POLY	B

## MESH ELEMENTS – PRESSURE LINE STRAINERS ISO COMPLIANT

"O" RINGS NOT INCLUDED - SEE BELOW



REF: 2

REF: 3

REF: 4

REF: 5

CODE	REF	FILTER TYPE	MESH SIZE	NEW COLOUR	OLD COLOUR	WIDTH	HEIGHT	CAT
GC00100001	2	324	50	BLUE	BLUE	40mm	90mm	B
GC00100003	2	324	100	GREEN	RED	40mm	90mm	B
GC00100033	3	326	50	BLUE	BLUE	58mm	210mm	B
GC00100035	3	326	100	GREEN	RED	58mm	210mm	B
GC00100005	4	3244	50	BLUE	BLUE	38mm	125mm	B
GC00100007	4	3244	100	GREEN	RED	38mm	125mm	B
GC00100015	5	G8135	50	BLUE	BLUE	50mm	150mm	B
GC00100016	5	G8135	80	YELLOW	GREY	50mm	150mm	B

'O' RINGS CODE	DESCRIPTION	CAT
C1210-145	To Suit GC00100001, GC00100003, GC00100005, GC00100007	B
G600001046	To Suit GC00100033, GC00100035	B
460000-210	To Suit GC00100015, GC00100016	B

# Nozzle Strainers

Nozzle or tip filters provide the final stage of filtration before the liquid is sprayed. They are available as standard or small cup type filters and fit most nozzle holders. Also available in anti-drip versions.



## CUP STRAINERS

- Stainless steel construction
- Choice of 50 and 100 mesh screens



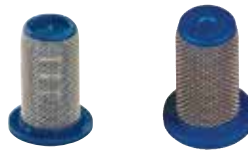
10 PACK

4067 SERIES

CODE	MESH SIZE	MESH SCREEN MATERIAL	TYPE	STRAINER BODY & CAP MATERIAL	CAT
PKT-4067-SS-50	50	Stainless Steel	CUP	Stainless Steel	B
PKT-4067-SS-100	100	Stainless Steel	CUP	Stainless Steel	B

## POLY TIP STRAINERS

Tip strainers protect the spray tip orifice from clogging and damage. Stainless steel screens available in 50 and 100 mesh individually



10 PACK

8079 SERIES

CODE	MESH SIZE	MESH SCREEN MATERIAL	TYPE	STRAINER BODY & CAP MATERIAL	CAT
PKT-8079-PP-50	50	Stainless Steel	Standard	Polypropylene	B
PKT-8079-PP-100	100	Stainless Steel	Standard	Polypropylene	B

## TIP STRAINER WITH CHECK VALVE

Ideal for knapsacks and 12V sprayers by eliminating any excess drips. Fits all Silvan nozzle bodies.

- Ball check opens at 5psi (0.34 bar)
- Recommended for flow rates up to 3 L/min
- Available in 50 and 100 mesh screens

*Note: Use of these ball check valves results in a pressure drop of 5psi (0.34 bar).*



4193A SERIES

**NOTE: CUT-AWAY PICTURE SHOWN FOR ILLUSTRATIVE PURPOSES ONLY**

CODE	MESH SIZE	MESH SCREEN MATERIAL	TYPE	STRAINER BODY & CAP MATERIAL	CAT
4193A-10-50SS	50	Stainless Steel	Standard With Check Valve	Brass	B
4193A-PP-10-100SS	100	Stainless Steel	Standard With Check Valve	Polypropylene	B
4193A-PP-10-50SS	50	Stainless Steel	Standard With Check Valve	Polypropylene	B



## BREATHER VALVES

1. Single breather valve with locking nut.
2. Single labyrinth valve to suit Arag lids
3. Double one way spring valve to suit Geoline lids



CODE	REF	TYPE	DIAMETER		HEIGHT	CAT
			INSIDE	OUTSIDE		
G8208000	1	Single	35mm	55mm	80mm	B
3522000	2	Single	110mm	140mm	80mm	B
G8140002	3	Dual	120mm	140mm	75mm	B

## TANK LIDS

Silvan "Smooth-Line" lid assemblies are used extensively through out Australia. A wide range of sizes is available to suit many applications, eg. filling points, inspection hatches and man-holes used in agricultural water and chemical tanks.

Manufactured from high quality chemical resistant UV stabilised polypropylene for durability. Two start threads are convenient and larger screw type lids feature twist on/off centre cap, incorporating a double breather valve (single on smaller lids) for fast tank filling and quick emptying.

A. Male thread with breather

B. Male thread with breather

C. Female thread with breather

D. Female thread no breather



G8146002



G8158002



G8178001

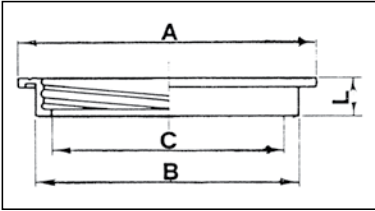


354130

CODE	SIZE	DIAMETER		HEIGHT	CAT
		INSIDE	OUTSIDE		
A G8146002	255mm	210mm	250mm	31mm	B
B G8152002	355mm	313mm	355mm	29mm	B
B G8158002	455mm	408mm	450mm	23mm	B
C G8178001	170mm	150mm	170mm	56mm	B
D 354130	122mm	106mm	122mm	32mm	B

## LID RINGS

Two start threads for secure, positive fastening and sealing. Suits male threaded lids.



CODE	SIZE		DIAMETER	HEIGHT	CAT
	A	B	C		
G8148000	255mm	218mm	192mm	38mm	B
G8154000	355mm	320mm	290mm	38mm	B
G8160000	455mm	415mm	382mm	35mm	B

## HINGE TYPE LID

Twin threaded lid with sealing gasket, breather valve and threaded ring



G8170015

CODE	SIZE	DIAMETER		HEIGHT	CAT
		INSIDE	OUTSIDE		
G8170015	455mm	415mm	457mm	22.5mm	B

## LID STRAINERS

For prevention of large particles or debris entering tank



CODE	SIZE	MESH SIZE	DIAMETER		HEIGHT	CAT
			INSIDE	OUTSIDE		
G8147002	255mm	20mm	188mm	200mm	240mm	B
G8153001	355mm	20mm	286mm	300mm	254mm	B
G8159000	455mm	20mm	378mm	398mm	160mm	B



## VALVES

Silvan offer a wide range of valves manufactured to high specifications with excellent resistance to agricultural chemicals with minimum flow restriction or pressure loss.

They feature BSP connections and quick turn on/off and are ideal for controlling boom lines, change of liquid directional flow, stop cocks or tank outlets.

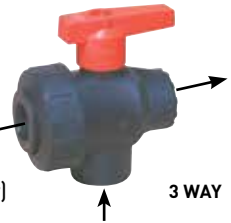
### BALL VALVE - LOW PRESSURE

Glass reinforced polypropylene, teflon ball seal, EPDM gasket, 90° on/off with 8mm mounting threads. (Some models only)



### BALL VALVE 3 WAY - LOW PRESSURE

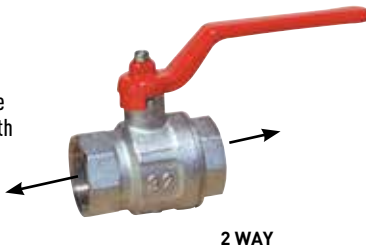
Three way ball valve with 180° three way on/off and 8mm mounting threads. (Some models only)



CODE	SIZE FEM BSPT	TYPE	PRESSURE KPA/PSI	LENGTH	WIDTH	HEIGHT	CAT
G8215253	1"	2 WAY	1650/239	100mm	67mm	66mm	B
G8215303	1 1/4"	2 WAY	1030/149	111mm	80mm	71mm	B
G8215353	1 1/2"	2 WAY	1030/149	130mm	95mm	80mm	B
G8215403	2"	2 WAY	1030/149	150mm	110mm	108mm	B
4542233	3/4"	3 WAY	1650/239	86mm	58mm	85mm	B
45521114-OBS	1"	3 WAY	1650/239	100mm	67mm	90mm	B
45521115-OBS	1 1/4"	3 WAY	1030/149	111mm	80mm	95mm	B
45521116-OBS	1 1/2"	3 WAY	1030/149	130mm	95mm	105mm	B
45521117-OBS	2"	3 WAY	1030/149	150mm	110mm	140mm	B

### HIGH PRESSURE BALL VALVE

Teflon seats, durable chrome coating, 90 degree on/off with female BSP connections.



CODE	SIZE FEM BSPT	TYPE	PRESSURE KPA/PSI	LENGTH	WIDTH	HEIGHT	CAT
472-22A	1/4"	2 WAY	5000/725	105mm	30mm	55mm	B
472-23A	3/8"	2 WAY	5000/725	105mm	30mm	55mm	B
472-28A	1/2"	2 WAY	5000/725	105mm	33mm	60mm	B
472-25A	3/4"	2 WAY	5000/725	120mm	40mm	65mm	B

## BUTTERFLY VALVE – HIGH PRESSURE

Teflon seals, durable chrome coating, 90° on/off with female BSP connections



472-28B

## IN LINE TAP

Designed for low pressure applications



320-TAP1

CODE	SIZE FEM BSPT	PRESSURE KPA/PSI	LENGTH	WIDTH	HEIGHT	CAT
472-22B	1/4"	5000/725	52mm	25mm	55mm	B
472-28B	1/2"	5000/725	52mm	32mm	60mm	B
CODE	SUIT I.D. HOSETAIL	PRESSURE KPA/PSI	LENGTH	WIDTH	HEIGHT	CAT
320-TAP1	1/2"	689/100	74mm	28mm	49mm	B
320-TAP2	3/8"	689/100	82mm	27mm	39mm	B

## PRESSURE GAUGE

Ideal where exact measurements are required. Both standard and dual pressure gauges for high and low pressure readings.

Feature a nominal size 63mm gauge, clear lens, glycerine filled, 1/4" BSP male thread in either bottom or back entry models.



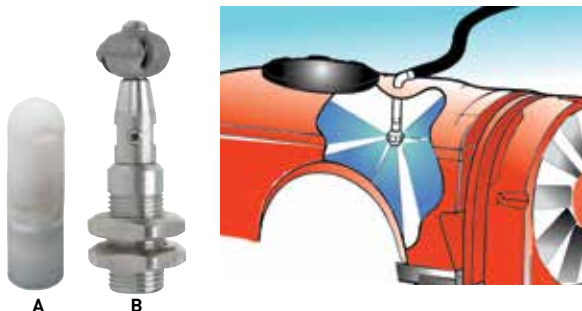
**1 BAR = 14.5 PSI**

CODE	ENTRY TYPE	PRESSURE LIMITS	OPTIMUM OPERATING PRESSURE	CAT
C99-247*	Back	0-60 BAR	60 BAR	B
C99-248-PK†	Bottom	0/5/25 BAR	1-5 BAR	B
C99-249-PK†	Back	0/5/25 BAR	1-5 BAR	B
C99-205/30B	Bottom	0-60 BAR	30 BAR	B
C99-204	Back	0-60 BAR	30 BAR	B
G8302058	Bottom	0-80 BAR	40 BAR	B
C99-207	Back	0-80 BAR	40 BAR	B
C99-210/50B	Bottom	0-100 BAR	50 BAR	B

\* 100mm face gauge model with 1/2 BSP connection, † Dual Stage gauge model, PK = Packaged

## TANK RINSING NOZZLE

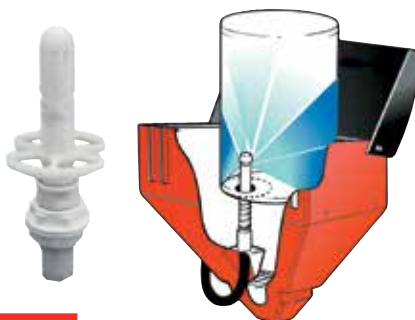
Washes the internal surface of the tank using a 360° fluid driven rotational spray head. Features a series of nozzles which spray clean liquid onto the tanks internal surface. Corrosion resistant.



CODE	REF	INLET CONNECT	MAX PRESS KPA/PSI	LENGTH	CAT
510110	A	1/2" BSPT (F)	3000/435	120mm	B
G8185000	B	3/8" BSPT (M)	5000/725	55mm	B

## CONTAINER RINSING NOZZLE

Ideal for cleaning chemical containers before disposal. A container fits over the 360° rotational spray head and onto a safety valve. The valve opens when the container is pushed down and releases clean water through the rotational spray head.

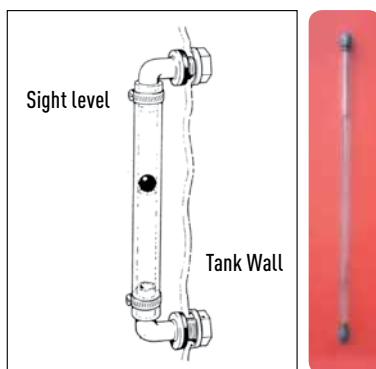


CODE	INLET CONNECT	MAX PRESS KPA/PSI	LENGTH	CAT
510100A	1/2" BSPT (F)	3000/435	90	B

## TANK SIGHT GAUGE KIT

Ideal for fitting to all types of tanks including poly, fibreglass or steel. Supplied in kit form and includes fittings which insert into tank wall, fluorescent sight ball and EPDM transparent PVC hose which makes gauging tank volume easy.

CODE	L SIZE (MM)	HOLE SIZE (MM) I.D.	CAT
BRA-1688041	1130	19	B



## CAMLEVER COUPLINGS

These top quality quick release Camlever Couplers are manufactured with glass reinforced polypropylene. They are ideal for use with most agricultural chemicals, liquid fertilisers and many other liquids.

Fitted with stainless steel camlever handles and grooved retaining pins. Working pressures of: 1/2" to 1" - 9 bar/900kPa & 1 1/4" to 2" - 7 bar/700kPa

### ADAPTOR - FEMALE THREAD



CODE	SIZE	CAT
CAM15A	1/2"	B
CAM20A	3/4"	B
CAM25A	1"	B
CAM32A	1 1/4"	B
CAM40A	1 1/2"	B
CAM50A	2"	B
CAM80A	3"	B

### COUPLER - MALE THREAD



CODE	SIZE	CAT
CAM15B	1/2"	B
CAM20B	3/4"	B
CAM25B	1"	B
CAM32B	1 1/4"	B
CAM40B	1 1/2"	B
CAM50B	2"	B
CAM80B	3"	B

### COUPLER - HOSE SHANK



CODE	SIZE	CAT
CAM15C	1/2"	B
CAM20C	3/4"	B
CAM25C	1"	B
CAM32C	1 1/4"	B
CAM40C	1 1/2"	B
CAM50C	2"	B
CAM80C	3"	B

### COUPLER - FEMALE THREAD



CODE	SIZE	CAT
CAM15D	1/2"	B
CAM20D	3/4"	B
CAM25D	1"	B
CAM32D	1 1/4"	B
CAM40D	1 1/2"	B
CAM50D	2"	B
CAM80D	3"	B

### ADAPTER - HOSE SHANK



CODE	SIZE	CAT
CAM15E	1/2"	B
CAM20E	3/4"	B
CAM25E	1"	B
CAM32E	1 1/4"	B
CAM40E	1 1/2"	B
CAM50E	2"	B
CAM80E	3"	B

### ADAPTER - MALE THREAD



CODE	SIZE	CAT
CAM15F	1/2"	B
CAM20F	3/4"	B
CAM25F	1"	B
CAM32F	1 1/4"	B
CAM40F	1 1/2"	B
CAM50F	2"	B
CAM80F	3"	B

## DUST CAP



CODE	SIZE	CAT
CAM1520DC	1/2"	B
CAM1520DC	3/4"	B
CAM25DC	1"	B
CAM3240DC	1 1/4"	B
CAM3240DC	1 1/2"	B
CAM50DC	2"	B
CAM80DC	3"	B

## DUST PLUG



CODE	SIZE	CAT
CAM1520DP	1/2"	B
CAM1520DP	3/4"	B
CAM25DP	1"	B
CAM3240DP	1 1/4"	B
CAM3240DP	1 1/2"	B
CAM50DP	2"	B
CAM80DP	3"	B

## GASKETS

CODE	SIZE	CAT
CAM59	1/2" / 3/4"	B
CAM60	1"	B
CAM61	1 1/4" / 1 1/2"	B



CODE	SIZE	CAT
CAM62	2"	B
CAM63	3"	B

## POLYPROPYLENE FITTINGS

Maintaining a leak free and smooth liquid flow by using quality components and fittings is essential for maximum performance from all installations. Silvan's range of fittings are manufactured from high quality polypropylene and are compatible with fungicides, herbicides, chemical fertilisers etc, and will withstand temperatures of up to 100°C. Standard BSP male and female threads can be used in conjunction with each other to construct assorted types and sizes of inlets, outlets, suction fittings and hose unions or they can be used with standard brass, galvanised and other fittings.

### HOSETAIL ELBOW 90° MALE THREAD



CODE	THREAD (BSP)	SUIT ID HOSE	CAT
G8011101	3/8"	13mm	B
G8011151	1/2"	13mm	B
G8011152	1/2"	15mm	B
G8011153	1/2"	20mm	B
1132320	3/4"	19mm	B
G8011203	3/4"	25mm	B
G8011252	1"	30mm	B
G8011302	1 1/4"	30mm	B
G8011355	1 1/2"	40mm	B

### SINGLE PIECE PIPE FITTING WITH BACK NUT



CODE	THREAD SIZE (BSP)	THREAD (BSP)	CAT
108425	1"	25mm	B

### HOSETAIL ELBOW 45° MALE THREAD



CODE	THREAD (BSP)	SUIT ID HOSE	CAT
114640	1 1/2"	40mm	B

**HOSETAIL FEMALE THREAD**



CODE	THREAD (BSP)	SUIT ID HOSE	CAT
100519	1 1/4"	19mm	B
G8000302	1 1/4"	21mm	B
G8000303	1 1/4"	25mm	B
G8000306	1 1/4"	35mm	B
100640	1 1/2"	40mm	B
G8000402	2"	50mm	B

**HOSETAIL MALE THREAD**



CODE	THREAD (BSP)	SUIT ID HOSE	CAT
103011	1/4"	11mm	B
1032013	1/4"	13mm	B
G8001151	1/2"	13mm	B
103215	1/2"	15mm	B
G8001153	1/2"	19mm	B
G8001154	1/2"	21mm	B
G8001201	3/4"	13mm	B
G8001203	3/4"	19mm	B
G8001205	3/4"	25mm	B
G8001251	1"	19mm	B
G8001252	1"	25mm	B
G8001303	1 1/4"	33mm	B
G8001351	1 1/2"	40mm	B
G8001401	2"	50mm	B

**NUT & TAIL WITH GASKET**



CODE	THREAD SIZE (BSP)	THREAD (BSP)	CAT
320-N3412	3/4"	13mm	B
320-N3434	3/4"	19mm	B
320-N1012	1"	13mm	B
320-N1034	1"	19mm	B
320-N1010	1"	25mm	B

**SINGLE PIECE 90° ELBOW WITH BACK NUT**



CODE	THREAD (BSP)	SUIT ID HOSE	CAT
G8039151	1/2"	15mm	B
G8039201	3/4"	19mm	B
G8039251	1"	25mm	B

**HOSETAIL ELBOW 90° FEMALE THREAD**



CODE	THREAD (BSP)	SUIT ID HOSE	CAT
G8010201	3/4"	19mm	B
G8010203	3/4"	25mm	B
1102430	1"	30mm	B

**FOOT VALVE**



CODE	THREAD SIZE (BSP)	SUIT ID HOSETAIL	CAT
504029	2" Male	2" Female	B

**BARBED TEE PIECES**



CODE	SUIT I.D. HOSETAIL	CAT
320-T14	1/4"	B
320-T38	3/8"	B
320-T12	1/2"	B
320-T34	3/4"	B

**ANTI SWIRL INTAKE**



CODE	THREAD (BSP)	OVERALL LENGTH	CAT
G8209005	1 1/4"	50mm	B
G8209006	1 1/2"	50mm	B

## ELBOW 90° FEMALE THREAD



CODE	THREAD (BSP)	THREAD (BSP)	CAT
G8019151	1/2"	1/2"	B
G8019201	3/4"	3/4"	B
G8019251	1"	1"	B
G8019301	1 1/4"	1 1/4"	B
G8019351	1 1/2"	1 1/2"	B

## ELBOW 90° FEMALE/ MALE THREAD



CODE	THREAD (BSP)	THREAD (BSP)	CAT
G8021151	1/2"	1/2"	B
G8021201	3/4"	3/4"	B
G8021251	1"	1"	B
G8021301	1 1/4"	1 1/4"	B
G8021351	1 1/2"	1 1/2"	B

## REDUCING NIPPLE MALE/MALE



CODE	THREAD (BSP)	THREAD (BSP)	CAT
2402020	1/4"	1/2"	B
G8058151	1/2"	3/4"	B
G8058201	3/4"	1"	B
G8058251	1"	1 1/4"	B
2402065	1 1/4"	1 1/2"	B
G8058351	1 1/2"	2"	B

## REDUCING BUSHES MALE/FEMALE



CODE	THREAD (BSP)	THREAD (BSP)	CAT
320-24	3/4"	1/2"	B
320-25	1"	3/4"	B
320-26	1 1/4"	1"	B
320-27	2"	1 1/4"	B
320-28	2"	1 1/2"	B

## THREADED BARREL NIPPLE



CODE	THREAD (BSP)	SUIT I.D. HOSE	CAT
G8052201	3/4"	46mm	B
G8052251	1"	51mm	B
G8052351	1 1/2"	47mm	B
230570	2"	70mm	B

## MALE PLUG



CODE	THREAD (BSP)	SUIT I.D. HOSE	CAT
G8046151	1/2"	15mm	B
G8046201	3/4"	17mm	B
G8046251	1"	33mm	B
G8046301	1 1/4"	37mm	B

## TANK OUTLET



CODE	THREAD (BSP)	LENGTH	CAT
G8050151	1/2"	43mm	B
G8050201	3/4"	43mm	B
G8050251	1"	50mm	B
G8050302	1 1/4"	48mm	B
G8050351	1 1/2"	48mm	B
G8050401	2"	73mm	B

## REDUCING NIPPLE MALE/FEMALE



CODE	THREAD (BSP)	THREAD (BSP)	CAT
245032	3/4"	1/2"	B
G8059203	3/4"	1"	B
G8059204	3/4"	1 1/4"	B
G8059253	1"	1 1/4"	B
G8059301	1 1/4"	1"	B
G8059351	1 1/2"	1 1/4"	B
2452067	1 1/2"	2"	B
G8059401	2"	1 1/2"	B

## FLY NUT



CODE	THREAD (BSP)	SUIT I.D. HOSE	CAT
G8040102	3/8"	28mm	B
G8040151	1/2"	29mm	B
G8040202	3/4"	37mm	B
G8040251	1"	44mm	B
G8040301	1 1/4"	55mm	B
G8040351	1 1/2"	60mm	B
G8040401	2"	74mm	B

## BACK NUT FEMALE



CODE	THREAD (BSP)	SUIT I.D. HOSE	CAT
G8042151	1/2"	13mm	B
G8042201	3/4"	13mm	B
G8042251	1"	13mm	B
G8042301	1 1/4"	15mm	B
G8042351	1 1/2"	15mm	B
G8042401	2"	17mm	B

## TEE PIECE FEMALE



CODE	THREAD (BSP)	CAT
G8026151	1/2"	B
G8026201	3/4"	B
G8026251	1"	B
G8026301	1 1/4"	B
1302060	1 1/2"	B

## BLANKING CAPS FEMALE THREAD



CODE	THREAD (BSP)	THREAD (BSP)	CAT
G8044151	1/2"	15mm	B
2102030	3/4"	13mm	B
G8044251	1"	21mm	B
G8044301	1 1/4"	18mm	B
G8044351	1 1/2"	19mm	B
G8044401	2"	74mm	B

## NIPPLES



CODE	SIZE (BSP)	OVERALL LENGTH	CAT
G8056151	1/2"	54mm	B
G8056152	1/2"	75mm	B
G8056201	3/4"	60mm	B
G8056251	1"	64mm	B
G8056252	1"	70mm	B
G8056301	1 1/4"	68mm	B
G8056302	1 1/4"	94mm	B
G8056351	1 1/2"	68mm	B
G8056352	1 1/2"	94mm	B
G8056401	2"	74mm	B
G8056402	2"	97mm	B

## GASKET (O'RING)



CODE	THREAD (BSP)	SUIT I.D. HOSE	CAT
GG00001002	1/2"		B
GG00001012	3/4"		B
GG00001018	1"		B
GG00001022	1 1/4"		B
C1210-173	1 1/2"		B
G10032	3/4"	26mm	B
G00001018	1"	20.2mm	B
G00001022	1 1/4"	26.6mm	B
C1210-030	1 1/4"	39.6mm	B
G10061	1 1/2"	29mm	B
G10062	1 1/2"	47mm	B
G10071V	2"	39.3mm	B
G10072	2"	58mm	B

## FLAT GASKET



CODE	I.D.	O.D.	CAT
GG00002004	3/8"	3/4"	B
GG00002012	1"	1 1/2"	B
GG00002010	3/4"	1 1/4"	B
GG00002006		1"	B
GG00002014	1 1/4"	2"	B
GG00002016	1 1/2"		B
GG00002018	2"		B
GG00001014		1/2"	B





## HOSETAILS



CODE	THREAD (BSP)	SUIT I.D. HOSE	CAT
G8002151	1/2"	13mm	B
G8002200	3/4"	13mm	B
G8002202	3/4"	19mm	B
G8002250	1"	13mm	B
G8002252	1"	19mm	B
G8002254	1"	25mm	B
G8002301	1 1/4"	25mm	B
G8002302	1 1/4"	30mm	B
G8002352	1 1/2"	32mm	B
G8002353	1 1/2"	35mm	B
G8002350	1 1/2"	25mm	B
G8002355	1 1/2"	40mm	B
G8002400	2"	40mm	B
G8002402	2"	50mm	B

## ELBOWS



CODE	THREAD (BSP)	SUIT ID HOSE	CAT
116317	3/4"	17mm	B
116530	1 1/4"	30mm	B
116533	1 1/4"	32mm	B
116630	1 1/2"	30mm	B
116210	1/2"	10mm	B
G8012200	3/4"	13mm	B
G8012203	3/4"	19mm	B
G8012251	1"	19mm	B
G8012252	1"	25mm	B
G8012301	1 1/4"	25mm	B
G8012350	1 1/2"	25mm	B
G8012353	1 1/2"	35mm	B
G8012355	1 1/2"	40mm	B
G8012400	2"	40mm	B
G8012402	2"	50mm	B

## FLY NUT



CODE	THREAD SIZE (BSP) (F)	CAT
G8040151	1/2"	B
G8040152	1/2"	B
G8040202	3/4"	B
G8040251	1"	B
G8040301	1 1/4"	B
G8040351	1 1/2"	B
G8040401	2"	B

## HOSE CLAMPS

Feature continuous rolled thread with hex head for screwdriver or spanner tightening.

TO FIT HOSE I.D. SIZE				
HOSE CLAMP	8MM	10MM	12MM	20MM
CODE	187-MH04	187-MH05	187-HS06	187-HS12
CAT	B	B	B	B



## NYLON FITTINGS

Nylon fittings are manufactured from high quality nylon and is compatible with fungicides, herbicides, chemical fertilisers etc. Standard "tapered" BSP male and female threads can be used in conjunction with each other to construct assorted types and sizes of inlets, outlets, suction fittings, hose unions etc.

### PIPE - MALE TAPER X HOSE BARB



CODE	THREAD (BSP)	BARB SIZE	CAT
HB1414	1/4"	1/4"	B
HB1438	1/4"	3/8"	B
HB1412	1/4"	1/2"	B
HB3814	3/8"	1/4"	B
HB3838	3/8"	3/8"	B
HB3812	3/8"	1/2"	B
HB1214	1/2"	1/4"	B
HB1238	1/2"	3/8"	B
HB1212	1/2"	1/2"	B
HB1234	1/2"	3/4"	B
HB3438	3/4"	3/8"	B
HB3412	3/4"	1/2"	B
HB3434	3/4"	3/4"	B
HB34100	3/4"	1"	B
HB10034	1"	3/4"	B
HB100	1"	1"	B
HB114100	1 1/4"	1"	B
HB114	1 1/4"	1 1/4"	B
HB114-112	1 1/4"	1 1/2"	B
HB112	1 1/2"	1 1/2"	B
HB200	2"	2"	B

### BARBED TEE



CODE	BARB SIZE	CAT
T38	3/8" x 3/8" x 3/8"	B
T12A	1/2" x 1/2" x 1/2"	B
T58A	5/8" x 5/8" x 5/8"	B
T34	3/4" x 3/4" x 3/4"	B
T100	1" x 1" x 1"	B

### ELBOW - MALE TAPER X HOSE BARB



CODE	THREAD (BSP)	BARB SIZE	CAT
EL1438	1/4"	3/8"	B
EL1412	1/4"	1/2"	B
EL3838	3/8"	3/8"	B
EL3812	3/8"	1/2"	B
EL1212	1/2"	1/2"	B
EL1234	1/2"	3/4"	B
EL1238	1/2"	3/8"	B
EL3412	3/4"	1/2"	B
EL3434	3/4"	3/4"	B
EL34100	3/4"	1"	B
EL10012	1"	1/2"	B
EL10034	1"	3/4"	B
EL100	1"	1"	B
EL114	1 1/4"	1 1/4"	B
EL112	1 1/2"	1 1/2"	B

### NIPPLE - MALE X MALE PIPE



CODE	THREAD (BSP)	BARB SIZE	CAT
N14	1/4"	1/4"	B
N12	1/2"	1/2"	B
N34	3/4"	3/4"	B
N100	1"	1"	B
N114	1 1/4"	1 1/4"	B
N112	1 1/2"	1 1/2"	B

**HOSE JOINER -  
BARB X BARB**



CODE	THREAD (BSP)	BARB SIZE	CAT
HM14	1/4"	1/4"	B
HM38	3/8"	3/8"	B
HM1238	1/2"	3/8"	B
HM12	1/2"	1/2"	B
HM1258	1/2"	5/8"	B
HM58	5/8"	5/8"	B
HM34	3/4"	3/4"	B
HM100	1"	1"	B
HM112	1 1/2"	1 1/2"	B

**REDUCING BUSH**



CODE	THREAD SIZE	THREAD SIZE	CAT
RB38-14	3/8" M	1/4" F	B
RB12-38	1/2" M	3/8" F	B
RB34-12	3/4" M	1/2" F	B
RB10034	1" M	3/4" F	B

**HEX HEAD PIPE PLUG**



CODE	THREAD SIZE	CAT
PP18	1/8"	B
PP14	1/4"	B
PP38	3/8"	B
PP12	1/2"	B
PP34	3/4"	B

**MALE THREADED TEE**



CODE	THREAD (BSP)	CAT
R12	1/2" x 1/2" x 1/2"	B

**TEE - FEMALE  
THREAD**



CODE	THREAD SIZE	CAT
TT12	1/2" x 1/2" x 1/2"	B
TT34	3/4" x 3/4" x 3/4"	B

**ELBOW - FEMALE  
PIPE**



CODE	THREAD (BSP)	BARB SIZE	CAT
EL3412F	3/4"	1/2"	B
EL34F	3/4"	3/4"	B

**NOZZLE BODY  
CAP NUT**



CODE	THREAD SIZE	CAT
8027	11/16"	B

**STRAIGHT NOZZLE  
BODY X BARB**



CODE	THREAD (BSP)	BARB SIZE	CAT
38D	11/16"	3/8"	B

## BRASS FITTINGS

Manufactured from high quality brass to ensure exceptional durability and long life. Non-corrosive and chemical resistant, these brass fittings can be utilised in many applications where durability under high pressure and stress is essential. Can be used in conjunction with all BSP fittings.

### ADAPTORS



CODE	THREAD (BSP MALE)	THREAD (BSP FEM)	CAT
474-050L	1/4"	1/4"	B
474-052	1/4"	3/8"	B
474-054	1/4"	1/2"	B
474-055	3/8"	3/8"	B
474-058	3/8"	1/2"	B
474-060	1/2"	1/2"	B
474-065	1/2"	3/4"	B
474-066	3/4"	3/4"	B
474-068	3/4"	1"	B

### SOCKET HEX



CODE	THREAD SIZE	CAT
474-350	1/4"	B
474-354	1/2"	B
474-355	3/4"	B
474-358	1"	B

### ELBOWS



CODE	THREAD (BSP)	THREAD (BSP)	CAT
474-130	1/4" M	1/4" Fem	B
474-144	3/8" M	3/8" Fem	B
474-149	1/2" M	1/2" Fem	B
474-158	3/4" M	3/4" Fem	B
474-124	1/8" F	1/8" Fem	B
474-150	1/2" F	1/2" Fem	B
474-156	3/4" F	3/4" Fem	B

### NIPPLE HEX



CODE	THREAD SIZE	CAT
474-260	1/4"	B
474-262	3/8"	B
474-264	1/2"	B
474-266	3/4"	B
474-268	1"	B

### REDUCING NIPPLES



CODE	THREAD (BSP MALE)	THREAD (BSP FEM)	CAT
474-282	3/8"	1/4"	B
474-284	1/2"	1/4"	B
474-286	1/2"	3/8"	B
474-288	3/4"	3/8"	B
474-290	3/4"	1/2"	B
474-292	1"	3/4"	B

### TEE



CODE	THREAD SIZE	CAT
474-370	1/4"	B
474-376	3/8"	B
474-380	1/2"	B
474-388	3/4"	B
474-390	1"	B

## BUSH REDUCING



CODE	THREAD (BSP MALE)	THREAD (BSP FEM)	CAT
474-080	1/4"	1/8"	B
474-082	3/8"	1/8"	B
474-084	3/8"	1/4"	B
474-088	1/2"	1/4"	B
474-090	1/2"	3/8"	B
474-098	3/4"	1/4"	B
474-100	3/4"	1/2"	B
474-103	1"	3/4"	B



MALE



FEMALE

## HOSETAIL

CODE	THREAD	HOSE	CAT
474-182	1/8" M	1/8"	B
474-186	1/4" M	3/16"	B
474-190	1/4" F	1/4"	B
474-191	1/4" M	3/8"	B
474-192	1/4" M	1/4"	B
474-196	1/4" F	3/8"	B
474-198	3/8" F	3/8"	B
474-199	1/4" F	1/2"	B
474-200	1/4" M	1/2"	B
474-201	3/8" F	1/2"	B
474-202	3/4"	3/4"	B
474-207	1/2" M	1/2"	B
474-209	1/2" M	3/8"	B
474-210	3/4" M	3/4"	B
474-211	1/2" F	1/2"	B

## FEMALE CROSS



CODE	THREAD SIZE	CAT
474-118	3/4"	B



## LOCKNUT

CODE	THREAD SIZE	CAT
474-236	1/4"	B
474-238	3/8"	B
474-240	1/2"	B
474-242	3/4"	B
474-244	1"	B
474-250	2"	B

## PLUG MALE



CODE	THREAD SIZE	CAT
474-341	1/4"	B
474-344	1/2"	B
474-345	3/4"	B

## CAP

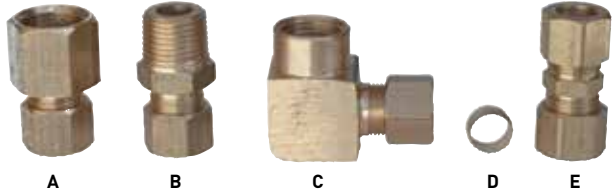


CODE	THREAD SIZE	CAT
474-113	1/4"	B
033-110	1/2"	B
474-338	3/4"	B

## SMOOTHLINE TUBING FITTINGS

Olive compression fittings help ensure that the hose will withstand high pressure operation without leaks from hose connections.

Max pressure 3500kpa (508psi).



TYPE	1/2" BSPT (F) STRAIGHT A	1/2" BSPT (M) STRAIGHT B	1/2" BSPT (F) ELBOW C	1/2" OLIVE - D	1/2" JOINER - E
CODE	187-34-0344-36	187-34-0346-36	187-34-0328-36	187-34-0278-07	187-34-0007-07
CAT	B	B	B	B	B

## FITTINGS

Manufactured from high quality brass and may be used in conjunction with any BSP fittings.



DESCRIPTION	CODE	REF	HOSE SIZE ID	CAT
NUT & TAIL (2 Pack)	68304004-PK	A	10mm	B
NUT & TAIL (2 Pack)	68304005-PK	A	12.5mm	B
HOSE JOINER	474-167	B	10mm	B
HOSE JOINER	474-168	B	12.5mm	B

## HOSE SNAP COUPLINGS

Ideal for quick disconnection of spray guns from hosereels featuring liquid shut-off.

Manufactured from corrosion resistant materials.

**POLY** - Maximum pressure 1450kPa (210psi).

**BRASS** - Maximum pressure 3000kPa (435psi).



CODE	REF	COUPLING TYPE	MAT	CONNECT. SIZE	CAT
406-03-PK	1, 2	Complete Set	Poly	1/2"BSPT (M)	B
406-02-PK	3,4	Complete Set	Brass	1/2"BSPT (M)	B
406-031	1	Male	Poly	1/2"BSPT (M)	B
406-032	2	Female	Poly	1/2"BSPT (M)	B
406-02M	3	Male	Brass	1/2"BSPT (M)	B
406-02F	4	Female	Brass	1/2"BSPT (M)	B

Silvan hose is manufactured from the highest quality materials and has been rigorously tested to ensure reliable performance and durability.

Ideal for most agricultural applications. The Silvan range includes delivery hose, suction hose, bypass hose. Available in sizes from 8mm I.D to 50mm I.D with pressures ranging up to 4000KPa (560psi). A wide range of hose connectors, hose clamps and fittings to suit are readily available off the shelf. All hose dimensions are inside diameter (I.D.).



## SMOOTHLINE DELIVERY TUBING

Lightweight rigid tubing hose for use in inaccessible terrain where risk of snagging hose is high. Maximum working pressure 1724 kPa (250psi). Requires special hose connectors.

CODE	HOSE I.D.	CAT
186-12B-100	1/2" O.D.	B
100 Metre Coil Length Only		



12MM  
186-12B-100

## BYPASS HOSE

Low pressure flexible PVC hose ideally suited for the use on Bypass return lines of pumps. Maximum pressure 1379 kPa (200psi). (Available per metre).

CODE	HOSE I.D.	CAT
186-25E	25mm	B



25MM  
186-25E

## SUCTION HOSE

Ideal for fitting on the inlet suction side of pumps. Wire reinforced construction helps guard against the hose collapsing. (Available per metre).

HOSE I.D.	12MM	19MM	25MM	32MM	38MM	50MM
CODE	186-12F	186-19F	186-25A	186-32A	186-38S	186-50S
CAT	B	B	B	B	B	B



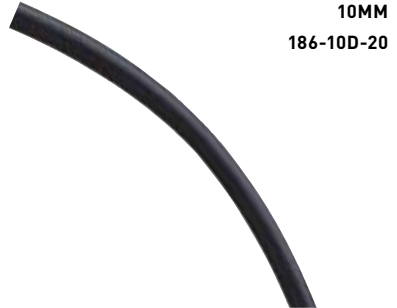
25MM  
186-25A

## SILVAN AG DELIVERY HOSE

Flexible PVC reinforced spray hose. Maximum working pressure 690 kPa (100psi) for 186-8D and 2067 kPa (300psi) for all others.

### 20 METRE COIL LENGTHS

HOSE I.D.	8MM	10MM	12MM
CODE	186-8D-20	186-10D-20	186-12C-20
CAT	B	B	B



10MM  
186-10D-20

### 100 METRE COIL LENGTHS

HOSE I.D.	10MM	12MM
CODE	186-10D-100	186-12C-100
CAT	B	B

## FIRE FIGHTING HOSE

Designed to suit stationary or mobile reels on fire control units. Also popular in agricultural applications, manufactured to AS 1221. Lightweight PVC, resistant to U.V. light and the material has self extinguishing properties. Maximum pressure 900 kPa (131psi).

CODE	HOSE I.D.	CAT
186-19E-30	19mm	B
Available In 30 Metre Coil Lengths Only		

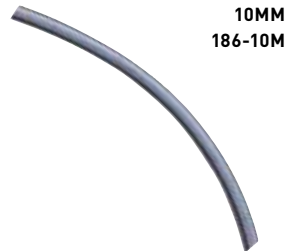


19MM  
186-19E-30

## PROFESSIONAL DELIVERY HOSE

Flexible PVC reinforced spray hose ideally suited for high pressure applications. Maximum working pressure 4000kPa (568 psi).

CODE	HOSE I.D.	CAT
186-10M	10mm	B
186-12M	12mm	B
186-19M	19mm	B
186-25M	25mm	B



10MM  
186-10M



## AGITATORS

Silvan agitators are fitted to spray equipment tanks to help ensure chemicals remain agitated (in suspension). Mechanical type agitators provide agitation by means of a paddle type propeller driven by V belt from a pump or PTO shaft. The pressure jet agitators, when installed to a pressure feed or bypass hose, helps ensure constant stirring of tank contents to prevent powder deposit build up.

### PRESSURE JET AGITATOR

Inserts through tank wall with sealing gasket and locknut, operates off pump pressure line. 1/2" BSP male connection. Available elbow or straight.



CODE	INLET TYPE	MAX PRESS KPA/PSI	JET	HEIGHT	WIDTH	HEIGHT	CAT
502010	Elbow	2000/290	S/steel	145mm	40mm	40mm	B
502020	Straight	2000/290	S/steel	150mm	40mm	65mm	B
G8201004	Elbow	2000/290	Ceramic	230mm	55mm	80mm	B
G8201000	Straight	2000/290	Ceramic	225mm	55mm	55mm	B

### PRESSURE JET AGITATOR - SWIVEL

Inserts through tank wall with sealing gasket and locknut, 5mm stainless steel jet operates off pump pressure line. 1/2" BSP male connection. 10° orientation movement.



CODE	INLET TYPE	MAX PRESS KPA/PSI	LENGTH	WIDTH	HEIGHT	CAT
502062	Straight	2000/290	382mm	100mm	100mm	B

### SUPERMIXAGITATOR

Provides the maximum possible agitation for a hydraulic type agitator. Depending on pump size the Supermix is capable of re-circulating up to 1300L per minute. The Supermix incorporates three inlets:

**Inlet A:** Pressure 1/2" BSP. It uses a pressure line directly off the pump, providing high pressure agitation.

**Inlet B:** Bypass. It uses the low pressure line from the bypass return of the pump and is ideally used when tank is being filled and chemicals mixed.

**Inlet C:** Additional pressure or chemical mixing. An optional additional pressure line agitator or can be used for induction of chemicals from a container into the spray tank.



CODE	MAX PRESS KPA/PSI	LENGTH	WIDTH	HEIGHT	CAT
502053	1931/280	460mm	190mm	140mm	B

# Nozzles & Accessories



**Silvan**

**GENUINE  
ACCESSORIES**

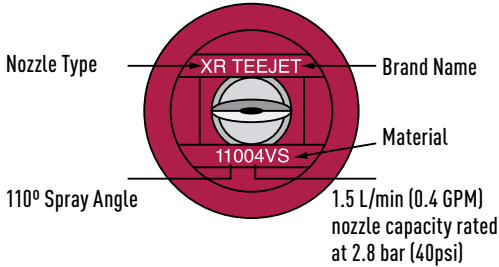
**Silvan**

Nozzle selection and maintenance are two of the most important aspects of accurate and efficient spray application. Silvan offers the largest range of nozzles from leading brands to suit your needs.



## HOW TO READ AND IDENTIFY A NOZZLE

Each nozzle has a code embossed on its surface allowing the following information to be identified.



## NOZZLE MATERIAL

A variety of materials are available which differ by resistance to wear summarised below.

**Strongest:** VK (Ceramic), VS, SS (Stainless Steel)

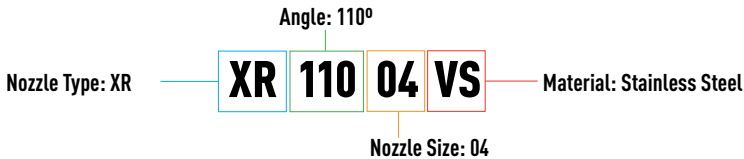
**Moderate:** VP (Polymer)

**Soft:** VB (Brass)

*Nozzles wear is increased when using abrasive chemicals, higher pressures or through heavy use.*

## NOZZLE CODE EXPLANATION

Example of XR Nozzle 110° spray angle, 04 size made Stainless steel (VS).



KEY	
DROPLET SIZE COLOUR REFERENCE	
VERY FINE	VF
FINE	F
MEDIUM	M
COARSE	C
VERY COARSE	VC
EXTRA COARSE	XC
ULTRA COARSE	UC

Droplet size classifications are based on BCPC specifications and in accordance with ASAE Standard S-572 at the date of printing. Classifications subject to change.

## NOZZLE DROPLET SIZE

When selecting a suitable nozzle the droplet size is critical to ensure chemical is applied to target instead of being miss-applied as drift. Finer droplet sizes ensure improved coverage however they are also more prone to drift and conversely larger droplets are less prone to drift.

Droplet sizes are defined by ISO standards ranging from Very Fine to Ultra course.

Droplet size follow two trends:

- As pressure increases droplet sizes decreases
- Larger size nozzles provide larger droplets and increased flow

Nozzle	XR TeeJet and XRC TeeJet							
	BAR							
	1	1.5	2	2.5	3	3.5	4	
XR8001	M	F	F	F	F	F	F	Small Nozzle
XR80015	M	M	F	F	F	F	F	
XR8002	M	M	M	M	F	F	F	
XR8003	M	M	M	M	M	M	M	
XR8004	C	M	M	M	M	M	M	
XR8005	C	C	C	M	M	M	M	
XR8006	C	C	C	C	C	C	C	Large Nozzle
XR8008	VC	VC	C	C	C	C	C	

Low Pressure      High Pressure

# Nozzles

## TYPICAL APPLICATION RATES FOR NOZZLES SPACED 50CM APART

MESH SIZE	CODE	LIQ PRES BAR	CAP. L/MIN	APPLICATION RATE: LITRES PER HECTARE AT KM/H												
				4 KM/H	5 KM/H	6 KM/H	7 KM/H	8 KM/H	10 KM/H	12 KM/H	16 KM/H	18 KM/H	20 KM/H	25 KM/H	30 KM/H	35 KM/H
100 Mesh*	01	1.0	0.23	69.0	55.2	46.0	39.4	34.5	27.6	23.0	17.3	15.3	13.8	11.0	9.2	7.9
		1.5	0.28	84.0	67.2	56.0	48.0	42.0	33.6	28.0	21.0	18.7	16.8	13.4	11.2	9.6
		2.0	0.32	96.0	76.8	64.0	54.9	48.0	38.4	32.0	24.0	21.3	19.2	15.4	12.8	11.0
		2.5	0.36	108	86.4	72.0	61.7	54.0	43.2	36.0	27.0	24.0	21.6	17.3	14.4	12.3
		3.0	0.39	117	93.6	78.0	66.9	58.5	46.8	39.0	29.3	26.0	23.4	18.7	15.6	13.4
		3.5	0.42	126	101	84.0	72.0	63.0	50.4	42.0	31.5	28.0	25.2	20.2	16.8	14.4
		4.0	0.45	135	108	90.0	77.1	67.5	54.0	45.0	33.8	30.0	27.0	21.6	18.0	15.4
		5.0	0.50	150	120	100	85.7	75.0	60.0	50.0	37.5	33.3	30.0	24.0	20.0	17.1
6.0	0.55	165	132	110	94.3	82.5	66.0	55.0	41.3	36.7	33.0	26.4	22.0	18.9		
100 Mesh*	015	1.0	0.34	102	81.6	68.0	58.3	51.0	40.8	34.0	25.5	22.7	20.4	16.3	13.6	11.7
		1.5	0.42	126	101	84.0	72.0	63.0	50.4	42.0	31.5	28.0	25.2	20.2	16.8	14.4
		2.0	0.48	144	115	96.0	82.3	72.0	57.6	48.0	36.0	32.0	28.8	23.0	19.2	16.5
		2.5	0.54	162	130	108	92.6	81.0	64.8	54.0	40.5	36.0	32.4	25.9	21.6	18.5
		3.0	0.59	177	142	118	101	88.5	70.8	59.0	44.3	39.3	35.4	28.3	23.6	20.2
		3.5	0.64	192	154	128	110	96.0	76.8	64.0	48.0	42.7	38.4	30.7	25.6	21.9
		4.0	0.68	204	163	136	117	102	81.6	68.0	51.0	45.3	40.8	32.6	27.2	23.3
		4.5	0.72	216	173	144	123	108	86.4	72.0	54.0	48.0	43.2	34.6	28.8	24.7
		5.0	0.76	228	182	152	130	114	91.2	76.0	57.0	50.7	45.6	36.5	30.4	26.1
		5.5	0.80	240	192	160	137	120	96.0	80.0	60.0	53.3	48.0	38.4	32.0	27.4
		6.0	0.83	249	199	166	142	125	100	83.0	62.3	55.3	49.8	39.8	33.2	28.5
		6.5	0.87	261	209	174	149	131	104	87.0	65.3	58.0	52.2	41.8	34.8	29.8
7.0	0.90	270	216	180	154	135	108	90.0	67.5	60.0	54.0	43.2	36.0	30.9		
8.0	0.96	288	230	192	165	144	115	96.0	72.0	64.0	57.6	46.1	38.4	32.9		
50 Mesh*	02	1.0	0.46	138	110	92.0	78.9	69.0	55.2	46.0	34.5	30.7	27.6	22.1	18.4	15.8
		1.5	0.56	168	134	112	96.0	84.0	67.2	56.0	42.0	37.3	33.6	26.9	22.4	19.2
		2.0	0.65	195	156	130	111	97.5	78.0	65.0	48.8	43.3	39.0	31.2	26.0	22.3
		2.5	0.72	216	173	144	123	108	86.4	72.0	54.0	48.0	43.2	34.6	28.8	24.7
		3.0	0.79	237	190	158	135	119	94.8	79.0	59.3	52.7	47.4	37.9	31.6	27.1
		3.5	0.85	255	204	170	146	128	102	85.0	63.8	56.7	51.0	40.8	34.0	29.1
		4.0	0.91	273	218	182	156	137	109	91.0	68.3	60.7	54.6	43.7	36.4	31.2
		4.5	0.97	291	233	194	166	146	116	97.0	72.8	64.7	58.2	46.6	38.8	33.3
		5.0	1.02	306	245	204	175	153	122	102	76.5	68.0	61.2	49.0	40.8	35.0
		5.5	1.07	321	257	214	183	161	128	107	80.3	71.3	64.2	51.4	42.8	36.7
		6.0	1.12	336	269	224	192	168	134	112	84.0	74.7	67.2	53.8	44.8	38.4
		6.5	1.16	348	278	232	199	174	139	116	87.0	77.3	69.6	55.7	46.4	39.8
7.0	1.21	363	290	242	207	182	145	121	90.8	80.7	72.6	58.1	48.4	41.5		
8.0	1.29	387	310	258	221	194	155	129	96.8	86.0	77.4	61.9	51.6	44.2		
50 Mesh*	025	3.0	0.99	297	238	198	170	149	119	99.0	74.3	66.0	59.4	47.5	39.6	33.9
		3.5	1.07	321	257	214	183	161	128	107	80.3	71.3	64.2	51.4	42.8	36.7
		4.0	1.14	342	274	228	195	171	137	114	85.5	76.0	68.4	54.7	45.6	39.1
		4.5	1.21	363	290	242	207	182	145	121	90.8	80.7	72.6	58.1	48.4	41.5
		5.0	1.28	384	307	256	219	192	154	128	96.0	85.3	76.8	61.4	51.2	43.9
		5.5	1.34	402	322	268	230	201	161	134	101	89.3	80.4	64.3	53.6	45.9
		6.0	1.40	420	336	280	240	210	168	140	105	93.3	84.0	67.2	56.0	48.0
		6.5	1.46	438	350	292	250	219	175	146	110	97.3	87.6	70.1	58.4	50.1
7.0	1.51	453	362	302	259	227	181	151	113	101	90.6	72.5	60.4	51.8		
8.0	1.62	486	389	324	278	243	194	162	122	108	97.2	77.8	64.8	55.5		
50 Mesh*	03	1.0	0.68	204	163	136	117	102	81.6	68.0	51.0	45.3	40.8	32.6	27.2	23.3
		1.5	0.83	249	199	166	142	125	100	83.0	62.3	55.3	49.8	39.8	33.2	28.5
		2.0	0.96	288	230	192	165	144	115	96.0	72.0	64.0	57.6	46.1	38.4	32.9
		2.5	1.08	324	259	216	185	162	130	108	81.0	72.0	64.8	51.8	43.2	37.0
		3.0	1.18	354	283	236	202	177	142	118	88.5	78.7	70.8	56.6	47.2	40.5
		3.5	1.27	381	305	254	218	191	152	127	95.3	84.7	76.2	61.0	50.8	43.5
		4.0	1.36	408	326	272	233	204	163	136	102	90.7	81.6	65.3	54.4	46.6
		4.5	1.45	435	348	290	249	218	174	145	109	96.7	87.0	69.6	58.0	49.7
		5.0	1.52	456	365	304	261	228	182	152	114	101	91.2	73.0	60.8	52.1
		5.5	1.60	480	384	320	274	240	192	160	120	107	96.0	76.8	64.0	54.9
		6.0	1.67	501	401	334	286	251	200	167	125	111	100	80.2	66.8	57.3
		6.5	1.74	522	418	348	298	261	209	174	131	116	104	83.5	69.6	59.7
7.0	1.80	540	432	360	309	270	216	180	135	120	108	86.4	72.0	61.7		
8.0	1.93	579	463	386	331	290	232	193	145	129	116	92.6	77.2	66.2		

\* Recommended nozzle filter mesh size.

# Nozzles

## TYPICAL APPLICATION RATES FOR NOZZLES SPACED 50CM APART

MESH SIZE	CODE	LIQ PRES BAR	CAP. L/MIN	APPLICATION RATE: LITRES PER HECTARE AT KM/H													
				4 KM/H	5 KM/H	6 KM/H	7 KM/H	8 KM/H	10 KM/H	12 KM/H	16 KM/H	18 KM/H	20 KM/H	25 KM/H	30 KM/H	35 KM/H	
50 Mesh*	04	1.0	0.91	273	218	182	156	137	109	91	68.3	60.7	54.6	43.7	36.4	31.2	
		1.5	1.12	336	269	224	192	168	134	112	84.0	74.7	67.2	53.8	44.8	38.4	
		2.0	1.29	387	310	258	221	194	155	129	96.8	86.0	77.4	61.9	51.6	44.2	
		2.5	1.44	432	346	288	247	216	173	144	108	96.0	86.4	69.1	57.6	49.4	
		3.0	1.58	474	379	316	271	237	190	158	119	105	94.8	75.8	63.2	54.2	
		3.5	1.71	513	410	342	293	257	205	171	128	114	103	82.1	68.4	58.6	
		4.0	1.82	546	437	364	312	273	218	182	137	121	109	87.4	72.8	62.4	
		4.5	1.94	582	466	388	333	291	233	194	146	129	115	93.1	77.6	66.5	
		5.0	2.04	612	490	408	350	306	245	204	153	136	122	97.9	81.6	69.9	
		5.5	2.14	642	514	428	367	321	257	214	161	143	128	103	85.6	73.4	
		6.0	2.23	669	535	446	382	335	268	223	167	149	134	107	89.2	76.5	
		6.5	2.33	699	559	466	399	350	280	233	175	155	140	112	93.2	79.9	
7.0	2.41	725	578	482	413	362	289	241	181	161	145	116	96.4	82.6			
8.0	2.58	774	619	516	442	387	310	258	194	172	155	124	103	88.5			
50 Mesh*	05	1.00	1.14	342	274	228	195	171	137	114	85.5	76.0	68.4	54.7	45.6	39.1	
		1.5	1.39	417	334	278	238	209	167	139	104	92.7	83.4	66.7	55.6	47.7	
		2.0	1.61	483	386	322	276	242	193	161	121	107	96.6	77.3	64.4	55.2	
		2.5	1.80	540	432	360	309	270	216	180	135	120	108	86.4	72.0	61.7	
		3.0	1.97	591	473	394	338	296	236	197	148	131	118	94.6	78.38	67.5	
		3.5	2.13	639	511	426	365	320	256	213	160	142	128	102	85.2	73.0	
		4.0	2.27	681	545	454	389	341	272	227	170	151	136	109	90.8	77.8	
		4.5	2.41	723	578	482	413	362	289	241	181	161	145	116	96.4	82.6	
		5.0	2.54	762	610	508	435	381	305	254	191	169	152	122	102	87.1	
		5.5	2.67	801	641	534	458	401	320	267	200	178	160	128	107	91.5	
		6.0	2.79	837	670	558	478	416	335	279	209	186	167	134	112	95.7	
		6.6	2.90	870	696	580	497	435	348	290	218	193	174	139	116	99.4	
7.0	3.01	903	722	602	516	452	361	301	226	201	181	144	120	103			
8.0	3.22	966	773	644	552	483	386	322	242	215	193	155	129	110			
50 Mesh*	06	1.0	1.37	411	329	274	235	206	164	137	103	91.3	82.2	65.8	54.8	47.0	
		1.5	1.68	504	403	336	288	252	202	168	126	112	101	80.6	67.2	57.6	
		2.0	1.94	582	466	388	333	291	233	194	146	129	116	93.1	77.6	66.5	
		2.5	2.16	648	518	432	370	324	259	216	162	144	130	104	86.4	74.1	
		3.0	2.37	711	569	474	406	356	284	237	178	158	142	114	94.8	81.3	
		3.5	2.56	768	614	512	439	384	307	256	192	171	154	123	102	87.8	
50 Mesh*	08	4.0	2.74	822	658	548	470	411	329	274	206	183	164	132	110	93.9	
		1.0	1.82	546	437	364	312	273	218	182	137	121	109	87.4	72.8	62.4	
		1.5	2.23	669	535	446	382	335	268	223	167	149	134	107	89.2	76.5	
		2.0	2.58	774	619	516	442	387	310	258	194	172	155	124	103	88.5	
		2.5	2.88	864	691	576	494	432	346	288	216	192	173	138	115	98.7	
		3.0	3.16	948	758	632	542	474	379	316	237	211	190	152	126	108	
50 Mesh*	10	3.5	3.41	1023	818	682	585	512	409	341	256	227	205	164	136	117	
		4.0	3.65	1095	876	730	626	548	438	365	274	243	219	175	146	125	
		1.0	2.28	684	547	456	391	342	274	228	171	152	137	109	91.2	78.2	
		1.5	2.79	837	670	558	478	419	335	279	209	186	167	134	112	95.7	
		2.0	3.23	969	775	646	554	485	388	323	242	215	194	155	129	111	
		3.0	3.95	1185	948	790	677	593	474	395	296	263	237	190	158	135	
50 Mesh*	15	4.0	4.56	1368	1094	912	782	684	547	456	342	304	274	219	182	156	
		1.0	3.42	1026	821	684	586	513	410	342	257	228	205	164	137	117	
		1.5	4.19	1257	1006	838	718	629	503	419	314	279	251	201	168	144	
		2.0	4.83	1449	1159	966	828	725	580	483	362	322	290	232	193	166	
50 Mesh*	15	3.0	5.92	1776	1421	1184	1015	888	710	592	444	395	355	284	237	203	
		4.0	6.84	2052	1642	1368	1173	1026	821	684	513	456	410	328	274	235	

\* Recommended nozzle filter mesh size.



## NOZZLE APPLICATION RATES

The previous two pages display the ISO std application rates which apply to most nozzles.

Nozzles are colour coded according to L/min output size at 2.8 bar.

For example: All Yellow 02 nozzles at 2.8 bar (40psi) have a flow rate of 0.2 US Gallons (0.75L/min).

*Note: Each nozzle type has a different droplet size profile.*

## SELECTING THE RIGHT SIZE NOZZLE

Application rates can be adjusted by pressure, vehicle speed and nozzle size.

Pressure can change droplet size and increase nozzles wear. Vehicle speed is an inaccurate method of adjusting output; higher speeds leads to increased bumps and vibration which is hard on equipment that can lead to critical failures. High speeds can also cause boom yaw, effectively changing boom height, leading to uneven spray application.

Nozzle size is the ideal and easiest way to select a suitable nozzle as you can change the output rate without significant changes to the machinery.

## TO SELECT A NOZZLE

Nozzle	XR TeeJet and XRC TeeJet						
	BAR						
	1	1.5	2	2.5	3	3.5	4
XR8001	M	F	F	F	F	F	F
XR80015	M	M	F	F	F	F	F
XR8002	M	M	M	M	F	F	F
XR8003	M	M	M	M	M	M	M
XR8004	C	M	M	M	M	M	M
XR8005	C	C	C	M	M	M	M
XR8006	C	C	C	C	C	C	C
XR8008	VC	VC	C	C	C	C	C

Droplet Size

1. You need to know your preferred safe vehicle speed.
2. Define your required droplet size & application rate eg. Medium droplet at 70L/h

Check the Droplet chart and you can see that a yellow 02 nozzle will provide a medium droplet at 2 and 2.5 bar.

3. Confirm against the Application Rates table the nozzle can put out the required 70 L/ha at 2 or 2.5 bar.

In the example above, a yellow 02 nozzle will be suited for use at 2.5.

## WHAT DROPLET SIZE DO I REQUIRE?

The manufacturer of your chemical recommends suitable droplet sizes on the Chemical label ranging from Very Fine to Ultra Course. Alternatively refer to your agronomist.

Nozzles that produce fine droplets are recommended for post-emergence applications, which require excellent coverage on the intended target area. The most common nozzles used in agriculture are those that produce medium sized droplets. Nozzles producing medium and coarse-sized droplets can be used for contact and systemic herbicides, pre emergence surface-applied herbicides, insecticides and fungicides.

Remember, as droplet size is reduced the drift potential is increased. Where possible, choose nozzles with a slightly coarser droplet size to reduce the risk potential. Review the nozzle Droplet size charts for the appropriate nozzles capable of the required droplet size.

## UNIVERSAL APPLICATION RATE CHART FOR 50 CM TIP SPACING

TIP CAPACITY	LIQUID PRESSURE IN BAR	CAPACITY 1 NOZZLE IN L/MIN	L/HA – 50CM NOZZLE SPACING					Speed	
			4 KM/H	6 KM/H	8 KM/H	10 KM/H	12 KM/H	Rate	
			01	015	02	02	02		
01	1.0	0.23	69.0	46.0	34.5	27.6	23.0		
	1.5	0.28	84.0	56.0	42.0	33.6	28.0		
	2.0	0.32	96.0	64.0	48.0	38.4	32.0		
	3.0	0.39	117	78.0	58.5	46.8	39.0		
	4.0	0.45	135	90.0	67.5	54.0	45.0		
	5.0	0.50	150	100	75.0	60.0	50.0		
	7.0	0.60	180	120	90.0	72.0	60.0		
015	1.0	0.34	102	68.0	51.0	40.8	34.0		
	1.5	0.42	126	84.0	63.0	50.4	42.0		
	2.0	0.48	144	96.0	72.0	57.6	48.0		
	3.0	0.59	177	118	88.5	70.8	59.0		
	4.0	0.68	204	136	102	81.6	68.0		
	5.0	0.76	228	152	114	91.2	76.0		
	7.0	0.90	270	180	135	108	90.0		
02	1.0	0.46	138	92.0	69.0	55.2	46.0		
	1.5	0.56	168	112	84.0	67.2	56.0		
	2.0	0.65	195	130	97.5	78.0	65.0		
	3.0	0.79	237	158	119	94.8	79.0		
	4.0	0.91	273	182	137	109	91.0		
	5.0	1.02	306	204	153	122	102		
	7.0	1.21	363	242	182	145	121		

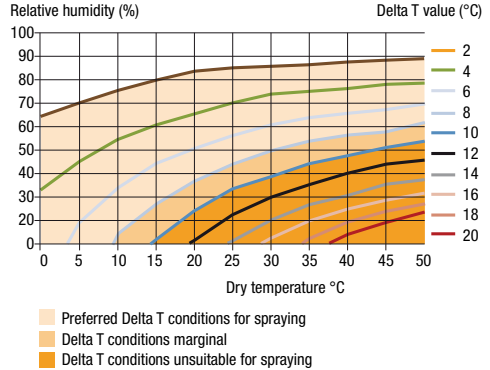
NOTE: Always double check your application rates. Tabulations are based on spraying water at 70°F (21°C).

## WHEN IS IT RIGHT TO SPRAY?

The weather has major impact on spraying conditions.






The effects of Wind on spraying can be very clear and easy to see but temperature and humidity also have critical effects that can be measured by a Delta T.

Delta T is a relative measure of Humidity vs Temperature summarised in the table (right) that indicates suitability of spray conditions. Preferably spraying should occur when Delta T is between 2 and 8; a higher Delta T has an increased chance for drift caused by evaporation when water based spraying.



## WIND SPEED AND SPRAYING

Wind speeds are critical when spraying. If conditions are too windy, chemicals may not be applied correctly to the target crop leading to poor results, increased drift and possible off target damage. The table below offers a simple method of assessing wind speeds, otherwise can be more accurately measured using a Wind Meter.

Approx. Airspeed at Boom Height	Description	Visible Signs	Spraying
Less than 2 km/h	Calm	 Smoke rises vertically	Spraying inadvisable
2-3.3 km/h	Light air	 Direction shown by smoke drift	Avoid spraying
3.2-6.5 km/h	Light breeze	 Leaves rustle, wind felt on face	Ideal spraying
6.5-9.6 km/h	Gentle breeze	 Leaves & twigs in constant motion	Use low drift nozzles (medium droplets)
9.6-14.5 km/h	Moderate	 Small branches moved raises dust or loose paper	Use air induction nozzles (coarse droplets)

## BOOM SPRAY CALIBRATION INFORMATION

### Equipment information

Date	Tractor	RPM
Gear	Spray plant	Pressure
Size, number & spacing of nozzles		

## CALCULATE SPEED IN KILOMETRES PER HOUR

$$\frac{3.6 \text{ metres} = \text{km/h } 3.6 \times \boxed{\phantom{000}} \text{ metres} = \text{km/h}}{\text{Seconds} \quad \boxed{\phantom{000}} \text{ seconds}}$$

$$\frac{600 \times \text{litres per minute}}{\text{Boom width (m) x speed (km/h)}} = \text{Litres per hectare}$$

$$\frac{600 \times \text{L}}{\text{m x km/h}} \times \frac{\boxed{\phantom{000}}}{\boxed{\phantom{000}}} = \boxed{\phantom{000}} = \text{Litres per hectare}$$

## CALCULATE CHEMICAL TO ADD TO TANK

$$\frac{\text{Tank capacity (L) X chemical rate (L/ha)}}{\text{Output (L/ha)}} = \text{Chemical required per tank}$$

$$\frac{(\text{L}) \boxed{\phantom{000}} \times \boxed{\phantom{000}} (\text{L/ha})}{\text{Output } \boxed{\phantom{000}} (\text{L/ha})} = \boxed{\phantom{000}} (\text{L})$$

Amount of chemical to add per tank

## FACTORS AFFECTING CALIBRATION OF BOOM SPRAYS

1. Application rate in Litres per hectare.
2. Travel Speed of Tractor.

The tractor travel speed is the most important variable in sprayer performance. A 10% change in tractor speed gives a 10% change in application rate. This can lead to over or under application of chemicals. Determine the speed by measuring 100 metres then time in seconds how long it takes to cover the 100 metres.

If spraying in hilly terrain time distance both up hill and down hill and average the results.

### THE FORMULA FOR SPEED IS:

$$\text{km/h} = \frac{360}{\text{Time in seconds for 100 metres}}$$

3. Nozzle Spacing on boom  
(Std nozzle spacing is 50 cm).

4. Calculate required output per nozzle:

$$\frac{\text{L/min/ nozzle}}{\text{nozzle}} = \frac{\text{L/ha x km/h x nozzle spacing (cm)}}{60,000}$$

$$\text{e.g. } \frac{100 \times 10 \times 50}{60,000} = 0.83 \text{ L/min/ nozzle}$$

Where application rate is: 100 L/Ha, speed is 10 km/h and nozzle spacing is 50 cm. Use the nozzle output charts to select the correct nozzle tip for your application.

5. Check the calibration procedure

Use a measuring jug and stopwatch to check the output of several nozzles across the boom at the recommended pressure. If the outputs vary slightly from the chart then adjust the pressure in the system to achieve the correct volume. If nozzle flow rates are greater than 5% above or below the manufacturer's charts then the whole sprayer system needs to be checked for leaks, blockages etc, cleaned out and the calibration process repeated until accuracy is attained. The nozzle charts also allow application rates to be determined if the tractor speed, the nozzle and the spraying pressure are known.



## Nozzles

Geoline, manufacturers of world class agricultural spraying accessories and components have released a range of ISO standard spray nozzles exclusive to Silvan.

Ideal for many applications where spray coverage and drift management is important, the Geoline nozzles offer excellent results.

### RS FLAT FAN POLY NOZZLE

- Air-induction flat-spray tip
- Spray angle: 110°
- Spray height = 50 cm
- Pressure recommended ranges from 1.5 to 4 bar
- Low Drift at low pressure. Increased coverage and drift potential at higher pressure



	FLAT FAN POLY NOZZLE RS SERIES					
	BAR					
	1.5	2	2.5	3	3.5	4
<b>RS110015</b>	F	F	F	F	F	F
<b>RS11002</b>	F	F	F	F	F	F
<b>RS11003</b>	M	F	F	F	F	F
<b>RS11004</b>	M	M	M	F	F	F

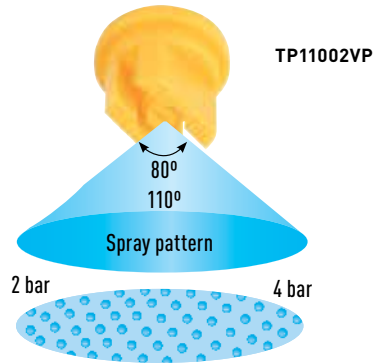
CODE	ANGLE	NOZZLE PACKETS	SIZES AVAILABLE	CAT
RS110***	110°	RS-FlatFan-Poly 24Pk	015,02,03,04	B
*** DENOTES SIZE REQUIRED. TO ORDER ADD THE SIZE IN PLACE OF ***				

Note: Automatic spray alignment order cap G8253000 and gasket 402200-040



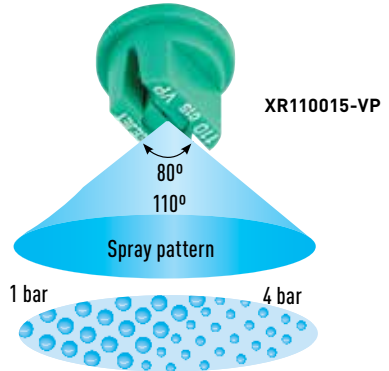
## TP FLAT FAN STANDARD

- Single piece nozzle with even coverage
- Pressure Range: 2-4 Bar
- Poly material available



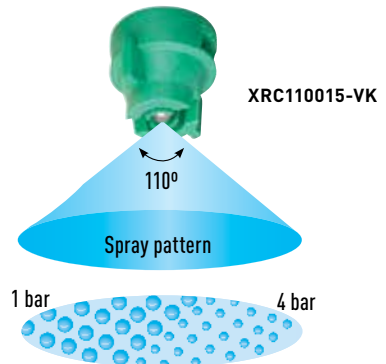
## XR EXTENDED RANGE

- Single piece nozzle with even coverage
- Pressure Range: 1-4 Bar
- Poly and Ceramic material available
- Low Drift at low pressure. Increased coverage and drift potential at higher pressure




## XRC EXTENDED RANGE


- Same droplet size as XR Nozzle with added convenience of a moulded Quick TeeJet cap for easy fitment and automatic alignment
- Single piece nozzle with even coverage
- Pressure Range: 1-4 Bar
- Poly material
- Low Drift at low pressure. Increased coverage and drift potential at higher pressure



REFER TO PAGES 97-99 FOR AUTOMATIC ALIGNMENT CAP & GASKET

## ISO DROPLET SIZE INFORMATION

	TP TeeJet				
	BAR				
	2	2.5	3	3.5	4
TP8001	F	F	F	F	F
TP80015	F	F	F	F	F
TP8002	M	M	F	F	F
TP8003	M	M	M	M	M
TP8004	M	M	M	M	M
TP8005	C	M	M	M	M
TP8006	C	C	C	C	C
TP8008	C	C	C	C	C
TP11001	F	F	F	VF	VF
TP110015	F	F	F	F	F
TP11002	F	F	F	F	F
TP11003	F	F	F	F	F
TP11004	M	M	M	F	F
TP11005	M	M	M	M	M
TP11006	M	M	M	M	M
TP11008	C	C	M	M	M

	XR TeeJet and XRC TeeJet						
	BAR						
	1	1.5	2	2.5	3	3.5	4
XR8001	M	F	F	F	F	F	F
XR80015	M	M	F	F	F	F	F
XR8002	M	M	M	M	F	F	F
XR8003	M	M	M	M	M	M	M
XR8004	C	M	M	M	M	M	M
XR8005	C	C	C	M	M	M	M
XR8006	C	C	C	C	C	C	C
XR8008	VC	VC	C	C	C	C	C
XR11001	F	F	F	F	F	VF	VF
XR110015	F	F	F	F	F	F	F
XR11002	M	F	F	F	F	F	F
XR110025	M	M	F	F	F	F	F
XR11003	M	M	F	F	F	F	F
XR11004	M	M	M	M	M	F	F
XR11005	C	M	M	M	M	M	M
XR11006	C	C	M	M	M	M	M
XR11008	C	C	C	C	M	M	M

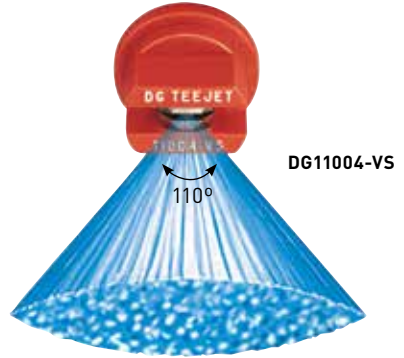
For ISO application rates see pages 96 - 97.

XR produce same droplet as XR.

CODE	ANGLE	DESCRIPTION	SIZES AVAILABLE	CAT
TP110***-VP	110°	TP - Flat Fan - Poly	015,02,03,04,05,06,08	B
TP80***-VP	80°	TP - Flat Fan - Poly	015,02,03,04,05,06,08	B
XR110***-VP	110°	XR - Flat Fan - Poly	015,02,03,04,05,06,08	B
XR110***-VK	110°	XR - Flat Fan - Ceramic	02,025,03,04,05,06,08	B
XR80***-VK	80°	XR - Flat Fan - Ceramic	03,04,05,06,08	B
XRC110***-VK	110°	XRC - Flat Fan - Ceramic with Moulded Cap	025,03,04,05,06,08	B
<b>10 PACK NOZZLES:</b>				
PKT-TP110***-VP	110°	VisiFlo - Flat Fan - Poly 10 Pk	015,02,03,04,05,06,08	B
PKT-XR110***-VP	110°	XR - Flat Fan - Poly 10 Pk	015,02,03,04,05,06,08	B
*** DENOTES SIZE REQUIRED. TO ORDER ADD THE SIZE IN PLACE OF ***. EG TP11004VP				

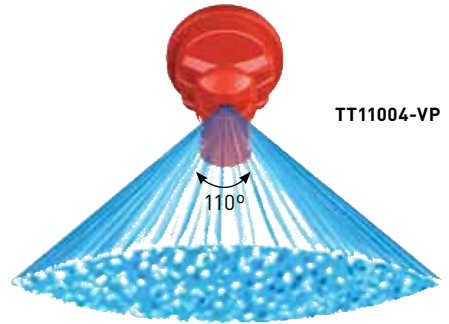
## DRIFT GUARD SPRAY TIPS

- Pre-orifice design produces larger droplets and reduces the small drift prone droplets, minimising off-target spray contamination
- Tapered edge flat spray pattern provides uniform coverage when adjacent nozzle patterns are overlapped in broadcast spraying
- The colour-coded pre-orifice is removable for any necessary cleaning operations
- Poly & Stainless steel material available



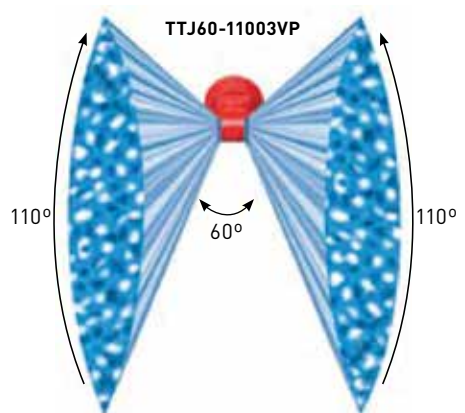
## TURBO TEEJET FLAT SPRAY TIPS

- Tapered edge wide angle pattern for uniform coverage in broadcast spraying
- Large, rounded internal passage to minimise clogging
- Larger droplets for less drift 15-90 psi (1-6 bar)
- Poly material




## TURBO TWINJET SPRAY TIPS


- All the features of the TT Turbo TeeJet, but with a double outlet nozzle that helps reduce spray drift
- Excellent canopy coverage and penetration while delivering excellent drift resistance
- Spraying pressure 20-90 psi (1.5-6 bar), ideal for use with automatic sprayrate controllers
- Best suited to applications where superior leaf coverage and canopy penetration is important
- Poly material




**REFER TO PAGES 97-99 FOR AUTOMATIC ALIGNMENT CAP & GASKET**

## ISO DROPLET SIZE INFORMATION

	DG TeeJet				
	BAR				
	2	2.5	3	3.5	4
DG110015	M	F	F	F	F
DG11002	M	M	M	M	M
DG11003	C	M	M	M	M
DG11004	C	C	M	M	M
DG11005	C	C	C	M	M

	Turbo TeeJet										
	BAR										
	1	1.5	2	2.5	3	3.5	4	4.5	5	5.5	6
TT11001	C	M	M	M	F	F	F	F	F	F	F
TT110015	C	C	M	M	M	M	M	F	F	F	F
TT11002	C	C	C	M	M	M	M	M	M	M	F
TT110025	VC	C	C	M	M	M	M	M	M	M	M
TT11003	VC	C	C	C	C	M	M	M	M	M	M
TT11004	XC	VC	C	C	C	C	C	C	M	M	M
TT11005	XC	VC	VC	VC	C	C	C	C	C	M	M
TT11006	XC	VC	VC	VC	C	C	C	C	C	C	M
TT11008	XC	XC	VC	VC	C	C	C	C	C	C	M

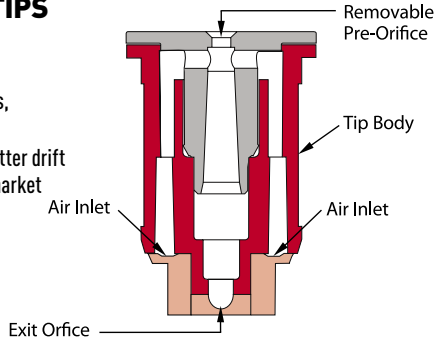
	Turbo Twinjet (TTJ60)									
	BAR									
	1.5	2	2.5	3	3.5	4	4.5	5	5.5	6
TTJ60-11002	C	C	C	C	M	M	M	M	M	M
TTJ60-110025	VC	C	C	C	C	C	C	M	M	M
TTJ60-11003	VC	C	C	C	C	C	C	C	M	M
TTJ60-11004	VC	C	C	C	C	C	C	C	C	M
TTJ60-11005	VC	C	C	C	C	C	C	C	C	C
TTJ60-11006	XC	VC	C	C	C	C	C	C	C	C

CODE	ANGLE	DESCRIPTION	SIZES AVAILABLE	CAT
DG110***-VP	110°	Polymer - Drift Guard Even Flat Fan	015,02,03,04,05	B
DG110***-VS	110°	Stainless Steel - Drift Guard Even Flat Fan	015,02,03,04,05	B
TT110***-VP	110°	Poly - Turbo Wide Angle Flat Fan	01,015,02,025,03,04,05,06,08	B
TTJ60-110***VP		Poly - Turbo Twinjet Wide Angle Flat Fan	02,025,03,04,05,06	B

\*\*\* DENOTES SIZE REQUIRED. TO ORDER ADD THE SIZE IN PLACE OF \*\*\*

## AIXR AIR INDUCTION SPRAY TIPS

- Pressure range 15-90 psi (1-6 bar)
- Made of a two-piece polymer construction. Excellent chemical resistance, including acids, as well as exceptional wear life
- A lower pressure air induced nozzle offers better drift management and suitable for the broadacre market
- Compact size to prevent tip damage and removable pre-orifice
- Depending on the chemical, produces large air-filled drops through a Venturi air aspirator



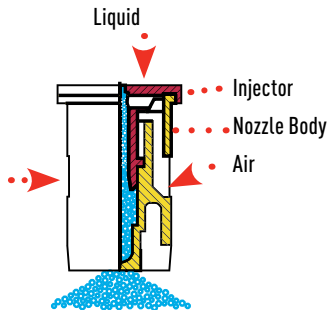
**AIXR110\_\_-VP Spray Tip**  
(Cross Section View)

**AIXR11002-VP**



## IDK AIR INJECTED NOZZLE

- Air-aspirating flat-spray tip
- Pressure Range:
  - Spray angle 120° all Poly nozzle
  - IDK-01 to 03, 20-90 psi (1.5 - 6 bar)
  - IDK-04, 15-90 psi (1 - 6 bar)
- More suitable for lower pressures
- Hard-wearing and non-clogging thanks to lateral air-aspirating channels of ample size

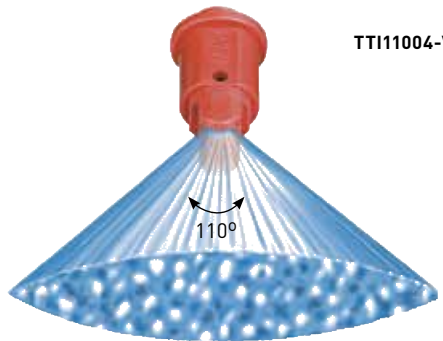


**IDK12004P**



## TURBO TEEJET INDUCTION FLAT SPRAY TIPS


- Compact size to prevent tip damage and removable pre-orifice for easy cleaning
- Large droplets are produced through a venturi air aspirator resulting in less drift
- Wide operating pressure 15-105 psi (1-7bar) producing extra coarse droplets
- Ideal for use with automatic rate controllers
- Poly material





**TT111004-VP**

**REFER TO PAGES 97-99 FOR AUTOMATIC ALIGNMENT CAP & GASKET**

## ISO DROPLET SIZE INFORMATION

	AIXR TeeJet											
	BAR											
	1	1.5	2	2.5	3	3.5	4	4.5	5	5.5	6	6
AIXR110015	XC	VC	VC	C	C	C	C	M	M	M	M	M
AIXR11002	XC	XC	VC	VC	C	C	C	C	C	M	M	M
AIXR110025	XC	XC	XC	VC	VC	C	C	C	C	C	C	C
AIXR11003	XC	XC	XC	VC	VC	C	C	C	C	C	C	C
AIXR11004	UC	XC	XC	XC	VC	VC	VC	C	C	C	C	C
AIXR11005	UC	XC	XC	XC	XC	VC	VC	VC	C	C	C	C
AIXR11006	UC	XC	XC	XC	XC	VC	VC	VC	C	C	C	C

	IDK Lechler							
	BAR							
	1.5	2	2.5	3	4	5	6	6
IDK12001	C	C	C	M	M	M	F	F
IDK120015	C	C	C	C	M	M	F	F
IDK12002	C	C	C	C	M	M	F	F
IDK120025	VC	VC	C	C	C	M	M	M
IDK12003	VC	VC	VC	C	C	M	M	M
IDK12004	VC	VC	VC	VC	C	C	M	M

	Turbo TeeJet Induction (TTI)												
	BAR												
	1	1.5	2	2.5	3	3.5	4	4.5	5	5.5	6	7	7
TTI110015	UC	UC	UC	UC	UC	UC	XC	XC	XC	XC	XC	XC	XC
TTI11002	UC	UC	UC	UC	UC	UC	UC	UC	XC	XC	XC	XC	XC
TTI110025	UC	UC	UC	UC	UC	UC	UC	UC	XC	XC	XC	XC	XC
TTI11003	UC	UC	UC	UC	UC	UC	UC	UC	XC	XC	XC	XC	XC
TTI11004	UC	UC	UC	UC	UC	UC	UC	UC	XC	XC	XC	XC	XC
TTI11005	UC	UC	UC	UC	UC	UC	UC	UC	XC	XC	XC	XC	XC
TTI11006	UC	UC	UC	UC	UC	UC	UC	UC	XC	XC	XC	XC	XC

CODE	ANG	DESCRIPTION	SIZES AVAILABLE	CAT
AIXR110***-VP	110°	Poly - Air Induction Spray Tip	015,02,025,03,04,05,06	B
IDK120***P	120°	Poly - Air Injected Spray Tip	01,015,02,025,03,04	B
IDK120***C	120°	Ceramic - Air Injected Spray Tip	015,02,025,03,04	B
TTI110***-VP	110°	Poly - Turbo Induction Spray Tip	015,02,025,03,04,05,06	B
<b>10 PACK NOZZLES:</b>				
PKT-AIXR110***-VP	110°	10 Pk Poly - Turbo Wide Angle Flat Spray Tip	015,02,03,04	B

\*\*\* DENOTES SIZE REQUIRED. TO ORDER ADD THE SIZE IN PLACE OF \*\*\*

## AI AIR INDUCTION SPRAY TIPS

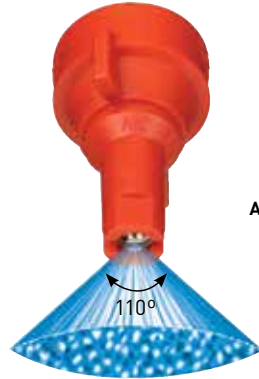
- Stainless steel insert produces tapered edge flat spray 110° pattern for uniform coverage in broadcast spraying
- Polymer insert holder and pre-orifice with VisiFlo colour-coding
- Larger droplets for less drift
- Depending on the chemical, produces large air-filled drops through the use of a venturi air aspirator
- Pressure ranges from 2 – 8 bar



AI11004-VS

## AIC AIR INDUCTION SPRAY TIPS

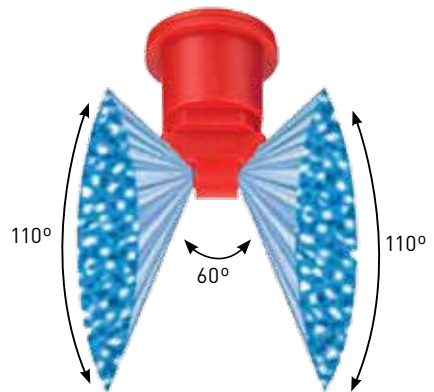
- Same droplet size as AI nozzles with added convenience of a moulded nozzle cap
- Available in stainless steel and ceramic inserts, produces tapered edge flat spray pattern for uniform coverage in broadcast spraying
- Polymer insert holder and pre-orifice with VisiFlo colour-coding
- Larger droplets for less drift
- Depending on the chemical, produces large air-filled drops through the use of a Venturi air aspirator
- AI TeeJet nozzle molded into Quick TeeJet cap provides automatic spray alignment
- Includes tightly fitting washer that assures a good seal



AIC11004-VS

## AITTJ60 AIR INDUCTION TURBO TWINJET

- Air induction with dual 110° flat fan patterns
- 60° between leading and trailing spray patterns
- Good coverage with increased canopy penetration and best drift control
- Best suited for postemergence applications
- Excellent drift control with coarse to very coarse droplets
- Available in VisiFlo color coded capacities (02 through 06)
- Pressure ranges from 1.5 – 6 bar (20 – 90 PSI)




AITTJ60-11004VP

**REFER TO PAGES 97-99 FOR AUTOMATIC ALIGNMENT CAP & GASKET**



## ISO DROPLET SIZE INFORMATION

	AI TeeJet and AIC TeeJet											
	BAR											
	2	2.5	3	3.5	4	4.5	5	5.5	6	6.5	7	8
AI110015	UC	XC	XC	XC	XC	VC	VC	VC	VC	C	C	C
AI11002	UC	XC	XC	XC	XC	VC	VC	VC	VC	C	C	C
AI110025	UC	UC	XC	XC	XC	XC	VC	VC	VC	VC	C	C
AI11003	UC	UC	XC	XC	XC	XC	VC	VC	VC	VC	C	C
AI11004	UC	UC	XC	XC	XC	XC	VC	VC	VC	VC	C	C
AI11005	UC	UC	XC	XC	XC	XC	VC	VC	VC	VC	C	C
AI11006	UC	UC	XC	XC	XC	XC	XC	VC	VC	VC	VC	C
AI11008	UC	UC	UC	XC	XC	XC	XC	VC	VC	VC	VC	C
AI11010*	UC	UC	UC	XC	XC	XC	XC	XC	VC	VC	VC	C

CODE	ANG	DESCRIPTION	SIZES AVAILABLE	CAT
AI110***-VS	110°	Air Induction Flat Spray Tip - Stainless Steel	015,02,03,04,05,06,08	B
AIC110***-VS	110°	Air Induction Spray Tip With Cap & Gasket - S/Steel	015,02,025,04,06,08,10,15	B
AIC110***-VK	110°	Air Induction Spray Tip With Cap & Gasket - Ceramic	025,03,04,05	B
AITTJ60-110**VP	110°	Air Induction Turbo Twinjet - Poly	02,025,03,04,05,06	B

\*\*\* DENOTES SIZE REQUIRED. TO ORDER ADD THE SIZE IN PLACE OF \*\*\*

## FERTILISER NOZZLES

### STREAMJET SJ-3 FERTILISER (3 STREAM)

- Removable metering orifice for easy cleaning
- Equally spaced distribution at 20" (50 cm) h
- Use with Quick TeeJet cap 25598-\*-NYR
- All acetal construction for excellent chemical resistance
- Recommended operating pressure: 1.5-4 bar (20-60 psi)



CODE	DESCRIPTION	SIZES AVAILABLE	CAT
SJ3-***-VP	Poly - 3 Stream Streamjet Fertilizer Nozzles	015,02,03,04,05,06,08,10,15,20	B


\*\*\* DENOTES SIZE REQUIRED. TO ORDER ADD THE SIZE IN PLACE OF \*\*\*

## HOLLOW CONE NOZZLES (HCC)

HCC

The ceramic hollow cone nozzles are designed for creating small droplets ideal for foliar application of insecticides and fungicides and are constructed with a moulded outer over a ceramic insert that is mated to a turbulence chamber and counter-swirling device easily separated for cleaning. The ceramic nozzle allows for long lasting life and the vortexing action in the nozzle provides a 80° spray angle between 3-5 bar, but works well at both high and low operation pressures. The ceramic hollow cone nozzles are the offered alternative to the Albus ATR Hollow cone nozzles.



	HCC Spray-Jet						
	BAR						
	3	4	5	6	8	10	15
HCC005	VF	VF	VF	VF	VF	VF	VF
HCC0075	F	VF	VF	VF	VF	VF	VF
HCC01	F	VF	VF	VF	VF	VF	VF
HCC015	F	F	VF	VF	VF	VF	VF
HCC02	F	F	F	VF	VF	VF	VF
HCC025	F	F	F	VF	VF	VF	VF
HCC03	F	F	F	VF	VF	VF	VF
HCC035	F	F	F	VF	VF	VF	VF
HCC04	F	F	F	F	F	VF	VF
HCC05	F	F	F	F	F	F	VF

## HOLLOW CONE NOZZLES (TX)

TX

VisiFlo colour-coded version consists of ceramic orifice in polypropylene body. Maximum operating pressure 20 bar. Spray angle is 80° at 7 bar. Finely atomised spray pattern provides thorough coverage.

**Excellent:** Post – Emergence contact herbicides, fungicides and insecticides ensures finely atomised spray droplets reach target areas.

**Good:** With defoliant & foliar fertilisers at 3 bar pressure and above.



CODE	ANG	DESCRIPTION	SIZES AVAILABLE	CAT
HCC***	80°	Ceramic-Hollow Cone Nozzle	005,0075,01,015,02,025,03,035,04,05	B
TX-VK**	80°	Ceramic-Conejet Hollow Cone Nozzle	3,4,6,8,10,12,18,26	B

\*\*\* DENOTES SIZE REQUIRED. TO ORDER ADD THE SIZE IN PLACE OF \*\*\*

## HCC NOZZLES APPLICATION RATES

	BAR	L/MIN		BAR	L/MIN
<b>HCC005</b>	3	0.19	<b>HCC025</b>	3	1
	4	0.22		4	1.15
	6	0.27		6	1.41
	8	0.31		8	1.63
	10	0.35		10	1.83
	12	0.38		12	2
	15	0.42		15	2.24
	20	0.49	20	2.58	
<b>HCC0075</b>	3	0.3	<b>HCC03</b>	3	1.2
	4	0.35		4	1.39
	6	0.42		6	1.7
	8	0.49		8	1.96
	10	0.55		10	2.19
	12	0.6		12	2.4
	15	0.67		15	2.68
	20	0.77	20	3.10	
<b>HCC01</b>	3	0.4	<b>HCC035</b>	3	1.4
	4	0.46		4	1.62
	6	0.57		6	1.98
	8	0.65		8	2.29
	10	0.73		10	2.56
	12	0.8		12	2.8
	15	0.89		15	3.13
	20	1.03	20	3.61	
<b>HCC015</b>	3	0.6	<b>HCC04</b>	3	1.6
	4	0.69		4	1.85
	6	0.85		6	2.26
	8	0.98		8	2.61
	10	1.1		10	2.92
	12	1.2		12	3.2
	15	1.34		15	3.58
	20	1.55	20	4.13	
<b>HCC02</b>	3	0.8	<b>HCC05</b>	3	3
	4	0.92		4	3.31
	6	1.13		6	2.83
	8	1.31		8	3.27
	10	1.46		10	3.64
	12	1.6		12	4
	15	1.79		15	4.47
	20	2.07	20	5.16	

## TX NOZZLES APPLICATION RATES

	BAR	L/MIN
<b>"TX-VK3 (100 MESH)"</b>	5	0.25
	7	0.28
	10	0.33
	15	0.39
	20	0.45
<b>"TX-VK4 (50 MESH)"</b>	5	0.33
	7	0.39
	10	0.45
<b>"TX-VK6 (50 MESH)"</b>	15	0.55
	20	0.62
	5	0.5
<b>"TX-VK8 (50 MESH)"</b>	7	0.58
	10	0.68
	15	0.82
<b>"TX-VK10 (50 MESH)"</b>	20	0.93
	5	0.67
	7	0.79
<b>"TX-VK12 (50 MESH)"</b>	10	0.93
	15	1.1
	20	1.3
<b>"TX-VK18 (50 MESH)"</b>	5	0.84
	7	0.98
	10	1.2
<b>"TX-VK26 (50 MESH)"</b>	15	1.4
	20	1.6
	5	1
<b>"TX-VK3 (100 MESH)"</b>	7	1.2
	10	1.4
	15	1.7
<b>"TX-VK4 (50 MESH)"</b>	20	2
	5	1.5
	7	1.8
<b>"TX-VK6 (50 MESH)"</b>	10	2.2
	15	2.6
	20	3
<b>"TX-VK8 (50 MESH)"</b>	5	2.2
	7	2.6
	10	3.1
<b>"TX-VK10 (50 MESH)"</b>	15	3.8
	20	4.4



MA2-10



MA1-10

## OUTPUT - IN LITRES PER MINUTE - CERAMIC DISC AND SWIRL PLATES

NOZZLE (SIZE)	SWIRL PLATE (CENTRE SIZE)	10 BAR	15 BAR	20 BAR	25 BAR	30 BAR	40 BAR	50 BAR
MA1-08 (0.8)	MA2-00 (Closed Centre)	0.9	1.0	1.2	1.3	1.4	1.6	1.9
MA1-10 (1.0)	MA2-00 (Closed Centre)	1.3	1.5	1.7	1.9	2.1	2.4	2.7
MA1-12 (1.2)	MA2-00 (Closed Centre)	1.7	2.0	2.3	2.6	2.8	3.2	3.5
MA1-15 (1.5)	MA2-00 (Closed Centre)	2.3	2.7	3.1	3.3	3.6	4.0	4.3
MA1-18 (1.8)	MA2-00 (Closed Centre)	2.7	3.2	3.6	4.1	4.5	5.0	5.5
MA1-20 (2.0)	MA2-00 (Closed Centre)	3.4	3.8	4.3	4.7	5.1	5.7	6.3
MA1-22 (2.2)	MA2-00 (Closed Centre)	3.8	4.1	4.6	5.1	5.6	6.6	7.4
MA1-25 (2.5)	MA2-00 (Closed Centre)	3.9	4.7	5.4	6.0	6.6	7.7	8.5
MA1-10 (1.0)	MA2-10 (1.0)	1.6	1.9	2.2	2.4	2.6	3.0	3.4
MA1-12 (1.2)	MA2-10 (1.0)	2.5	3.0	3.4	3.8	4.1	4.7	5.4
MA1-15 (1.5)	MA2-12 (1.2)	3.6	4.2	4.8	5.3	5.8	6.9	7.7
MA1-18 (1.8)	MA2-15 (1.5)	5.0	5.9	6.7	7.4	8.0	9.5	10.6
MA1-20 (2.0)	MA2-18 (1.8)	6.2	7.8	8.7	9.6	10.4	11.8	13.2
MA1-22 (2.2)	MA2-20 (2.0)	7.4	8.7	9.9	11.2	12.5	14.3	16.4
MA1-25 (2.5)	MA2-22 (2.2)	8.8	10.5	12.1	13.5	14.7	16.2	17.5

# Specialty Nozzles

## LURMARK DEFLECTIP 80°-145°

LC-15

The Lurmark Deflectip produces a wide angled even spray (from 80 to 145 degrees depending on pump pressure) making it ideal for banding pre and post emergent herbicides.

- Large orifice produces coarser droplets which are less prone to drift and blocking
- Fits in most nozzle caps
- Precision moulded in tough and durable polyacetal, with a spray angle tolerance of +/- 5%



CODE	ANGLE	DESCRIPTION	SIZES AVAILABLE	CAT
LC-**	80° -145°	Poly - Lurmark Deflectip Spray Nozzle	15,20	B

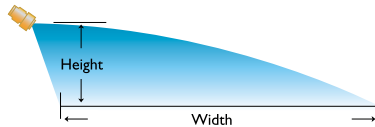
PART NUMBER (REC FILTER MESH)	SPRAY ANGLE	SPRAY WIDTH* (50CM HEIGHT)	PRESS. BAR	FLOW L/MIN	SINGLE NOZZLE APPLICATION RATES L/HA AT KM/H				
					2KPH	3KPH	4KPH	5KPH	
BLUE	LC-15 (100#)	105°	1.30m	1.0	0.68	157	105	79	63
				2.0	0.97	223	148	111	89
				3.0	1.18	273	182	136	109
RED	LC-20 (50#)	105°	1.30m	1.0	0.91	210	140	105	84
				2.0	1.29	298	198	149	119
				3.0	1.58	365	243	182	146

Note: Spray angle and widths given are at 3 Bar.

## BRASS OFF-CENTRE – SMALL CAPACITY

G8259139

These spray tips are commonly installed in double and single swivel nozzle bodies. A wide spray swath is easily obtained from the bodies' easily adjustable angular position.



CODE	BAR	L/MIN	H = 45CM L/HA					H = 60CM L/HA				
			W (CM)	4 KM/H	6 KM	8 KM	10 KM	W(CM)	4 KM/H	6 KM	8 KM	10 KM
G8259139 OC-02	2.0	0.65	172	56.7	37.8	28.3	22.7	190	51.3	34.2	25.7	20.5
	3.0	0.79	177	66.9	44.6	33.5	26.8	195	60.8	40.5	30.4	24.3
	4.0	0.91	182	75.0	50.0	37.5	30.0	198	68.9	46.0	34.5	27.6
G8259140 OC-03	2.0	0.96	195	73.8	49.2	36.9	29.5	203	70.9	47.3	35.5	28.4
	3.0	1.18	203	87.2	58.1	43.6	34.9	210	84.3	56.2	42.1	33.7
	4.0	1.36	208	98.1	65.4	49.0	39.2	215	94.9	63.3	47.4	38.0
G8259141 OC-04	2.0	1.29	231	83.8	55.8	41.9	33.5	236	82.0	54.7	41.0	32.8
	3.0	1.58	236	100	66.9	50.2	40.2	238	99.6	66.4	49.8	39.8
	4.0	1.82	238	115	76.5	57.4	45.9	241	113	75.5	56.6	45.3
G8259142 OC-06	2.0	1.94	251	116	77.3	58.0	46.4	274	106	70.8	53.1	42.5
	3.0	2.37	256	139	92.6	69.4	55.5	279	127	84.9	63.7	51.0
	4.0	2.74	259	159	106	79.3	63.5	281	146	97.5	73.1	58.5

CODE	DESCRIPTION	SIZES AVAILABLE	CAT
G8259***	Brass - Geoline Off Centre Nozzle	02,03,04,06,08,16	B
OC-**	Brass - TeeJet Off Centre Nozzle	01,02,03,04,06,08,12,16	B

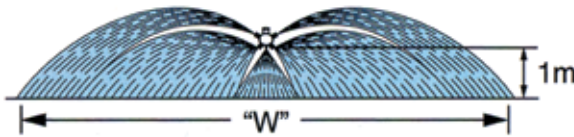
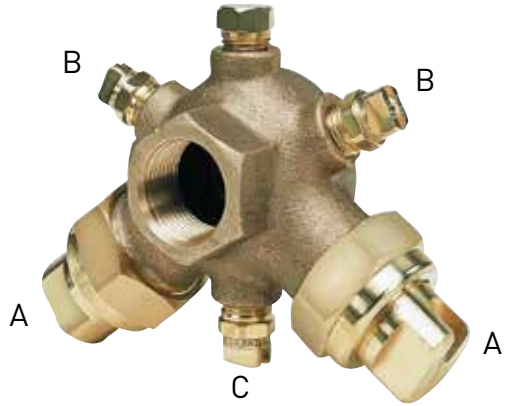
\*\*\* DENOTES SIZE REQUIRED. TO ORDER ADD THE SIZE IN PLACE OF \*\*\*



## XP BOOMJET BOOMLESS FLAT SPRAY

Type 5880 Boomjet Nozzle is used for spraying areas not easily accessed with a boom sprayer. It combines two off-centre tips and three VeeJet nozzles to produce an overall wide swath flat spray. The nozzle assembly provides good distribution considering the wide pattern coverage obtained: however the uniformity is not as good as with a properly operated boom sprayer. Uniformity can be optimised by double overlapping spray swaths on successive sprayer passes. Remember this also doubles the application volume.

Supplied with one additional 1/4" NPT pipe plug and one blank tip for setting BoomJet to one side only. Also has a 1/4" NPT pressure gauge port.



W = Maximum effective coverage with nozzle mounted at 1m height

CODE	NOZZLE A	NOZZLE B	NOZZLE C	BAR	L/MIN	I/HA WIDTH	6	8	12	16	24	CAT
							KM/H	KM/H	KM/H	KM/H	KM/H	
5880-3/4-2TOC06	6733-0C06	H1/4VV- 1506	H1/4VVL-9502 with 50 mesh strainer	1.5	7.26	10.2M	71.2	53.4	35.6	26.7	17.8	B
				2.0	8.38	10.3M	81.4	61.0	40.7	30.5	20.3	
				2.5	9.37	10.5M	89.2	66.9	44.6	33.5	22.3	
5880-3/4-2TOC10	0C-10	H1/4U-0508HE	H1/4VVL-11004 with 50 mesh strainer	1.5	11.16	12.0M	93.0	69.8	46.5	34.9	23.3	B
				2.0	12.89	12.1M	107.0	79.9	53.3	39.9	26.3	
				2.5	14.41	12.3M	117.0	87.9	58.6	43.9	29.3	
5880-3/4-2TOC20	0C-20	H1/4U-0520HE	H1/4VVL-9506 with 50 mesh strainer	1.5	24.00	14.3M	168.0	126.0	83.9	62.9	42.0	B
				2.0	27.72	15.2M	182.0	137.0	91.2	68.4	45.6	
				2.5	30.99	15.8M	196.0	147.0	98.1	73.6	49.0	
5880-3/4-2TOC40	0C-40	H1/4U-0540HE	H1/4U-9510	1.5	47.44	17.1M	277.0	208.0	139.0	104.0	69.4	B
				2.0	54.78	18.2M	300.01	226.0	150.0	113.0	75.2	
				2.5	61.25	19.2M	319.0	239.0	160.0	120.0	79.8	

# Boomless Nozzles

180° SPRAY  
(7M)



\*M99-65: Kit pic shown for display only

## BRASS BOOMLESS NOZZLE

Compact broad spread brass nozzle suited for use with 12V pumps for spraying areas unsuitable for a boom. Ideal for general application of herbicides or fertiliser.

- Ideal for applications where a conventional boom cannot be used due to obstacles, such as power poles, fences, trees, etc.
- Common uses include orchard, vineyard, forestry, pasture, turf and golf course spraying, as well as maintaining fence lines
- Designed for herbicide or fertiliser application
- Compact brass body with 1/4" threaded inlet
- Includes both nozzles for double sided and single sided application
- Maintains a consistent & adjustable spray swath over a pressure range of 30-60 PSI
- Spray swath 6.7 – 7.6m with double sided nozzle or 1.6 – 2.27m with single side nozzle in place

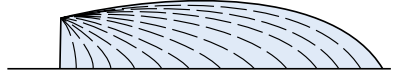


PSI	L/min	Swath (m)	4.8 km/hr	8 km/hr	16 km/hr
30	3.21	6.7	30	18	9
40	3.78	7	34	20.3	10.3
50	4.16	7.3	39	21	10.8
60	4.54	7.6	37	22.6	11

PSI	L/min	Swath (m)	4.8 km/hr	8 km/hr	16 km/hr
30	1.6	3.35	30	18	9
40	1.89	3.5	34	20.3	10.3
50	2.08	3.65	39	21	10.8
60	2.27	3.8	37	22.6	11



Double Sided output (180° Swath nozzle)

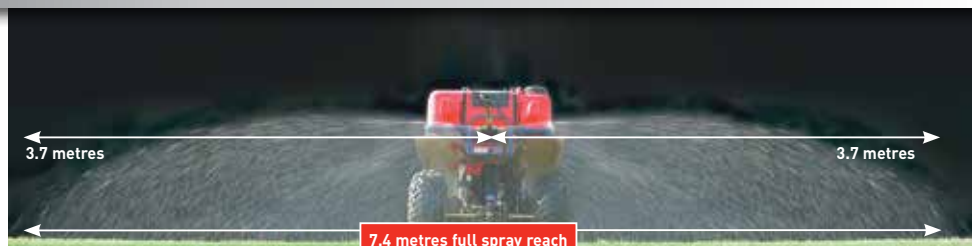


Single Sided output (90° Swath nozzle)



CODE	DESCRIPTION	PRESSURE	L/MIN (UP TO)	SWATH WIDTH	CAT
6560-01	02 Size Brass Boomless Nozzle (only)	207KPa/30PSI	18.2	10.4	B
M99-65	Boomless Nozzle Kit with Single or Double Sided Swath				B

## Boomless Nozzles



### ATV BOOMLESS NOZZLE KIT

Ideal for applications where a conventional boom cannot be used due to obstacles, such as power poles, guardrails, fences, trees, etc.

- Attaches to ATV rack and runs off your 12V pump/RakPak
- Fitted with 30cm of hose with clamp to attach to Quad Bike carry frame
- Durable nozzle produce large droplet size for herbicide or fertiliser application
- **M99-74:** Single sided output suits pumps 5 - 10L/min (60psi)
- **M99-75:** Double sided output suits pump 10 - 20L/min (60psi)
- Nozzle reorder code: For green Hypro Boomless Nozzle (See Page 81)



**M99-74 (1 jet)**

3.7m full spray reach



**M99-75 (2 jet)**

7.4m full spray reach

CODE	DESCRIPTION	PRESSURE	L/MIN	SWATH WIDTH	NOZZLE COLOUR	CAT
M99-74	Boomless Nozzle Kit 1 Jet	2 bar/30PSI	3.2	3.7		B
M99-75	Boomless Nozzle Kit 2 Jet	2 bar/30PSI	7.6	7.4		B

For application rates per nozzle see page 81



*Image for illustrative purposes only.  
Spray tank not included.*

### TPL BOOMLESS NOZZLE

Specifically designed for a 3 point linkage unit running between 30 and 60 psi spraying pressure. It can spray up to 9.6 metres wide and is available with an optional mounting bracket that fits between the upright bars on Silvan linkage equipment.

- Sprays 4.8 metres one side or 9.6 metres both sides together
- Can spray one or both sides with blanking cap included
- Fitted with 2.5 metres of Ag hose
- Nozzle reorder code: For blue FC-XT020 Hypro Boomless Nozzle (See Page 89)



**M99-76**

CODE	DESCRIPTION	PRESSURE	L/MIN	SWATH WIDTH	NOZZLE COLOUR	CAT
M99-76	Boomless Nozzle Kit 2 Jet	207KPa/30PSI	12.8	10.4		B
K99-10	Mounting Bracket (Suit Super Series TPL)					



# Boomless Nozzles

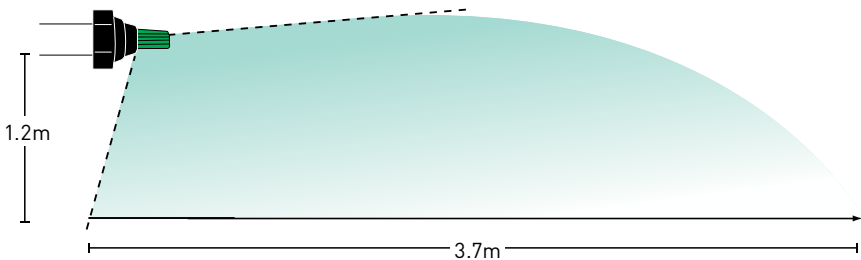


## HYPRO BOOMLESS NOZZLES

PICTURED  
FC-XT010

Eliminate the need for a spraying boom with the durable boomless nozzle that provides efficient spray.

- Ideal for applications where a conventional boom cannot be used due to obstacles, such as power poles, fences, trees, etc.
- Common uses include orchard, vineyard, forestry, pasture, turf and golf course spraying, as well as maintaining fence lines
- Designed for herbicide or fertiliser application
- Coarse droplet size, excellent low drift option while extending spray reach
- Maintains a consistent and adjustable spray swath over a pressure range of 30-60 psi
- Includes quick connect cap and gasket for easy handling
- Excellent durability and low maintenance
- Also available as a spray kit (see page 80)



CODE	PRESSURE	L/MIN	SWATH WIDTH	L/HA				CAT
				6 KM/H	8 KM/H	12 KM/H	16 KM/H	
FC-XT010	2 Bar/30psi	3.2	3.7	83	62	41	31	B
FC-XT020	2 Bar/30psi	6.4	4.8	134	101	67	50	B
FC-XT024	2 Bar/30psi	7.7	4.9	158	118	79	59	B

## Nozzle Holders

Silvan nozzle holders are the easiest and fastest means of mounting spray nozzles to booms. Simply drill an appropriate size hole and clamp nozzle holder in place. The range available includes non-drip valves, swivel nozzle holders, low pressure and high pressure holders and wet and dry boom nozzle holders.

All are UV light resistant, house most standard size nozzle tips and feature self-aligning quick fit caps for ease of nozzle cleaning. Applications include boom spraying, poultry shed lines, car washes, livestock races and production line cooling. All nozzle holders are supplied less tip. Merchandise packs of 4 where stated.

### WET BOOM NOZZLE HOLDERS

Designed for clamping around 1/2" spray tubes. Feature a self-aligning nozzle cap and a mounting recess in the top clamp for attachment to flat surfaces. Polypropylene construction. Includes nozzle cap, gasket and screw.



AR-100

CODE	INLET SIZE	TUBE SIZE	MAX. PRESSURE	CAT
AR-100 (4 pack)	7mm	1/2"	1000kPa/145PSI	B

### NON-DRIP NOZZLE HOLDERS

Single clamping screw on the 1/2" model. Non-drip shut-off valve. Opens above 0.5 Bar. Includes nozzle body & cap, gasket & screw.

- 1/2" model maximum pressure of 30 Bar
- 3/4" model maximum pressure of 20 Bar



AR-200



AR-210

CODE	INLET SIZE	TUBE SIZE	MAX. PRESSURE	CAT
AR-200 (4 pack)	7mm	1/2"	3000kPa/435PSI	B
AR-210 (4 pack)	10mm	3/4"	2000kPa/290PSI	B

## TEEJET NOZZLE HOLDERS

Features ChemSaver drip-free shut-off.  
Requires 10 PSI (0.7 bar) at the nozzle to open check valve.

*Excludes nozzle cap and gasket. [Refer to pages 98-99].*



CODE	INLET SIZE	TUBE SIZE	MAX. PRESSURE	CAT
QJ17560A-1/2x7-NYB	7mm	1/2"	2068kPa/300PSI	B
QJ17560A-1/2-NYB	9.5mm	1/2"	2068kPa/300PSI	B
QJ17560A-3/4-NYB	9.5mm	3/4"	2068kPa/300PSI	B
QJ17560A-1-NYB	9.5mm	1"	2068kPa/300PSI	B

## TEEJET MULTIPLE NOZZLE HOLDERS

This 3 position nozzle holder features a positive shut-off between each position and includes ChemSaver® diaphragm check valve for drip-free shut-off.

*Excludes nozzle cap and gasket. [Refer to pages 98-99].*



CODE	INLET SIZE	TUBE SIZE	MAX. PRESSURE	CAT
QJ363C-1/2-NYB	9.5mm	1/2"	2068kPa/300PSI	B
QJ363C-3/4-NYB	9.5mm	3/4"	2068kPa/300PSI	B
QJ363C-1-NYB	9.5mm	1"	2068kPa/300PSI	B

## Nozzle Holders

Dry boom nozzle holders are designed for mounting directly to boom frame for variable nozzle spacings when used with hose and clamps. Fits round or square tubing or pipe and is connected by hose and clamps. Polypropylene construction with max pressure of 2000kPa (290psi).



G8235021



G8235027

### 8235 SERIES

Self aligning nozzle cap. Available in single or double hose-tails. Non-drip shut-off valve standard (opens 0.5 Bar).

CODE	NOZZLE HOLDER TYPE	INLET HOSE TAIL SIZE I.D.	MAX PRESS	CAT
G8235021	SINGLE	1/2"	2000kPa/290PSI	B
G8235027	DOUBLE	1/2"	2000kPa/290PSI	B

### 193 SERIES

- Drip free shut-off with ChemSaver®
- Opening pressure - 10 psi (0.7 bar)
- Available in single or double hose shanks
- Hose barb sizes for 3/8", 1/2" or 3/4" I.D. hose
- Use with Vari Spacing clamps (Refer Page 93)



19349

A



19350

B

CODE	REF	NOZZLE HOLDER TYPE	INLET HOSE TAIL SIZE I.D.	MAX PRESS	CAT
19349-211-406-NYB	A	SINGLE	3/8"	862kPa/125PSI	B
19349-211-540-NYB	A	SINGLE	1/2"	862kPa/125PSI	B
19349-211-785-NYB	A	SINGLE	3/4"	862kPa/125PSI	B
19350-212-406-NYB	B	DOUBLE	3/8"	862kPa/125PSI	B
19350-212-540-NYB	B	DOUBLE	1/2"	862kPa/125PSI	B
19350-212-785-NYB	B	DOUBLE	3/4"	862kPa/125PSI	B

### QJ39685 SERIES

- TeeJet ChemSaver® drip-free shut-off
- Made of corrosion-resistant materials



1



2



3

CODE	REF	NOZZLE HOLDER TYPE	INLET HOSE TAIL SIZE I.D.	MAX PRESS	CAT
QJ39685-1L-500-NYB	1	SINGLE LEFT	1/2"	2000kPa/290PSI	B
QJ39685-1R-500-NYB	2	SINGLE RIGHT	1/2"	2000kPa/290PSI	B
QJ39685-2-500-NYB	3	DOUBLE	1/2"	2000kPa/290PSI	B

## Nozzle Holders

### G8235 SERIES

- Geoline compact non-drip elbow
- Made of corrosion-resistant materials



CODE	REF	NOZZLE HOLDER TYPE	INLET HOSE TAIL SIZE I.D.	MAX PRESS	CAT
G8235035	4	SINGLE LEFT	1/2"	2000kPa/290PSI	B
G8235031	5	SINGLE RIGHT	1/2"	2000kPa/290PSI	B
G8235033	6	DOUBLE	1/2"	2000kPa/290PSI	B
CP21953-EPR	Replacement Standard Diaphragm				B
CP21953-VI	Replacement Viton				B

### NOZZLE ADAPTORS

- Features ChemSaver® non-drip shutoff
- Requires 10 PSI (0.7 bar) at the nozzle to open check valve
- QJ8360-NYB allows use of Quick TeeJet system from 1/4" NPT female connections
- QJT8360-NYB permits use of Quick TeeJet system with standard 11/16" TeeJet thread



QJ8360-NYB

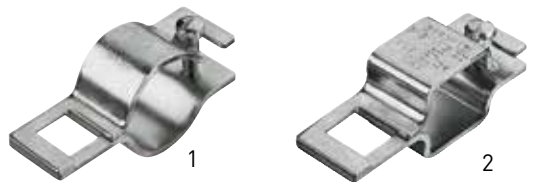
QJT8360-NYB

CODE	THREAD SIZE	ANTI DRIP VALVE	MAX PRESURE	CAT
QJ8360-NYB	1/4" NPT (M)	YES	2000kPa/290PSI	B
QJT8360-NYB	11/16" TeeJet THREAD (F)	YES	2000kPa/290PSI	B

### VARI SPACING CLAMPS

These clamps are for use on all dry boom nozzle bodies. Simply order the round or square clamps for the required O.D. tubing.

Example: QJ111-1/2 (Round 1/2" tubing).



QJ111-1/2

QJ111SQ-3/4

CODE	REF	TO FIT	CAT
QJ111-1/2	1	1/2" Pipe (13/16" & 7/8" O.D. Tubing)	B
QJ111-3/4	1	3/4" Pipe (1" & 11/16" O.D. Tubing)	B
QJ111-1	1	1" Pipe (11/8", 11/4" & 13/8" O.D. Tubing)	B
QJ111-1-1/4	1	1-1/4" Pipe (19/16" & 11/16" O.D. Tubing)	B
QJ111SQ-3/4	2	3/4" Square Tubing	B
QJ111SQ-1	2	1" Square Tubing	B
QJ111SQ-1-1/4	2	1-1/4" Square Tubing	B
QJ111SQ-1-1/2	2	1-1/2" Square Tubing	B

## Nozzle Holders

### HOSE DROPPERS

Self aligning cap, fits all Silvan nozzle holders. Available in 380 and 610mm lengths. Ideal for fitting swivel nozzles in row crop application.

AR-600;  
AR-610



CODE (2 PK)	HOSE DROPPER LENGTH	INLET	OUTLET SIZE	MAX PRESSURE	CAT
AR-600	Hose Dropper 380mm	CAP	1/4" NPT	1000kPa/145PSI	B
AR-610	Hose Dropper 610mm	CAP	1/4" NPT	1000kPa/145PSI	B

### POLY - SWIVEL NOZZLE HOLDERS

Features an adjustable spray angle with lock nut to hold body in place. Self-aligning nozzle cap. Ideal for use in row crop application or fenceline spraying.

Excludes nozzle cap and gasket. (Refer to pages 97-99).



G8247014

### BRASS - SWIVEL NOZZLE HOLDERS

Plated brass adjustable angle swivel bodies. Threaded nozzle caps for high pressure application and row crop spraying. Single or twin outlets.

G8247004



G8247008



CODE	NOZZLE HOLDER TYPE	INLET SIZE (BSP)	MAX PRESSURE	L (MM)	CAT
G8247014	Double Poly	1/4" F	1000kPa/145PSI	70	B
G8247004	Single Brass	1/4" F	2068kPa/300PSI	70	B
G8247008	Double Brass	1/4" F	2068kPa/300PSI	70	B

### TEEJET NOZZLE CAPS

Secure interchangeable TeeJet tips to the various nozzle bodies.



CP1325



CP8027-NYB

CODE	MATERIAL	CAT
CP1325	Brass	B
CP8027-NYB	Nylon	B

## TEEJET SWIVEL NOZZLE HOLDERS

TeeJet swivel nozzle bodies are primarily for use with tips employed in row crop spraying. A locknut holds swivel bodies firmly in position at a selected spray projection angle so they are not affected by jarring and vibration. For use at pressures up to 125 PSI (8.6 bar). These are also available in the QJ8600 swivel Quick TeeJet nozzle body assemblies which provide the same spray tip adjustability of a standard TeeJet threaded swivel plus the quick change and self-aligning features of the Quick TeeJet System.

QJ8600-1/4-NYB



5000-1/4T



QJ8600-2-1/4-NYB



4202-2-1/4T



6240-1/4TT



8600-1/4T-NYB



8600-2-1/4T-NYB



CODE	INLET SIZE BSP)	MATERIAL	SWIVEL ARC RANGE	MAX PRESSURE	CAT
QJ8600-1/4-NYB	1/4" NPT (F)	Nylon	280°	862kPa/125PSI	B
QJ8600-2-1/4-NYB	1/4" NPT (F)	Nylon	280°	862kPa/125PSI	B
5000-1/4T	1/4" NPT (F)	Brass	280°	862kPa/125PSI	B
4202-2-1/4T	1/4" NPT (F)	Brass	280°	862kPa/125PSI	B
6240-1/4TT	1/4" NPT (M)	Brass	280°	862kPa/125PSI	B
8600-1/4T-NYB	1/4" NPT (F)	Nylon	280°	862kPa/125PSI	B
8600-2-1/4T-NYB	1/4" NPT (F)	Nylon	280°	862kPa/125PSI	B

## HIGH PRESSURE WET BOOM NOZZLE HOLDERS

High pressure nozzle holders are ideal for orchard, vineyard, market garden and poultry shed applications. They can be retro-fitted to existing equipment or for specialised manufacturing uses, eg. special spray booms. Brass construction with BSP connections.

- Suits 1/2" tube with 7mm outlet hole
- Inlet 1/4" female



004215

CODE	INLET SIZE	TUBE SIZE	OUTLET SIZE (BSP)	MAX PRESSURE	CAT
004215	7mm	1/2"	1/4" Female	5000kPa/725PSI	B

## HIGH PRESSURE NOZZLE HOLDERS

### NON DRIP MA3 SERIES

Brass flip over nozzle fitted with anti-drip valve with viton diaphragm. Anti-drip valve opens at 1 Bar pressure. 1/4" BSP thread, all brass construction, ceramic tips, stainless steel swirl plates, 90° shut off.



MA3-66

### STANDARD SINGLE SERIES

Flip over nozzle fitted with 1/4" BSP thread, all brass construction, ceramic tip, stainless steel swirl plate, 90° shut off.



G8264000A

### VINE SERIES

Features adjustable spray pattern simply by twisting rear adjusting nut. Supplied with 1/4" BSP swivel which allows the nozzle to be locked in almost any spray angle/position. Brass construction with ceramic nozzle tip.



P50

### STANDARD DOUBLE SIDE SERIES

Double sided version of Standard Single Series.



MA3-68

### MA7 SERIES

Ideal for use in high volume pressure applications in heavy foliage. Features adjustable spray pattern, tungsten carbide nozzle supplied standard with 1.5mm jet and brass construction. Supplied with 1/4" BSP swivel.



G8275016

### ADJUSTABLE NOZZLE

Adjustable brass nozzle holder designed for heavy foliage in poultry sheds. Features an adjustable spray pattern, 1.5mm jet and brass construction. Supplied with 90° 1/4" BSP swivel.





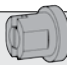




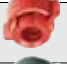

G8275012

CODE	INLET SIZE	NOZZLE SIZE	ANTI DRIP VALVE	MAX PRESS	LENGTH	WIDTH	HEIGHT	CAT
G8264000A	1/4" Male	1.2	NO	5000kPa/725PSI	50mm	30mm	60mm	B
MA3-68	1/4" Male	1.2/1.5	NO	5000kPa/725PSI	70mm	30mm	60mm	B
MA3-66	1/4" Male	1.2/1.5	YES	5000kPa/725PSI	80mm	30mm	40mm	B
P50	1/4" Male	1.2	NO	5000kPa/725PSI	100mm	25mm	70mm	B
G8275016	1/4" Male	1.5	NO	5000kPa/725PSI	130mm	30mm	30mm	B
G8275012	1/4" Male	1.5	NO	5000kPa/725PSI	100mm	36mm	30mm	B



# Nozzle Caps

Silvan self-aligning nozzle caps are designed to fit all popular brands of spray tips including fan, cone, anvil and other specialised nozzles. Cap sealing gaskets are manufactured from chemical resistant EPDM material. Maximum operating pressure 30 Bar (435 PSI).

FOR USE WITH SPRAY TIPS (REFERENCE GUIDE ONLY)	COLOUR CAPS	CAP CODE	CAT	GASKET ONLY CODE	CAT
 TeeJet® Flat Spray Tips Lurmark Flat Fan Tips Albus Flat Fan Tips (Fits Sizes D1 To D8) Lechler IDK		G8253000	B	402200-040	B
 Albus AVI-OC; Albus AVI; Albus APE-EXA; Albus ESI		G8253004	B	402200-040	B
 Albus APM; TK Floodjet TG Full Cone; FL Full Jet		G8253012	B	402200-040	B
 Albus APT-ATR-AMPT, HCC hollow cones		G8253020	B	402200-040	B
PROVIDES BLANKING SHUT-OFF OF NOZZLE		G8253040 gasket not inc.	B	402200-040	B

## UNI CAP

- Universal nozzle cap suitable for use with the majority of nozzles used in agriculture today
- Lower stock costs and easier managing
- Supplied with gasket

Suitable for the following nozzles:



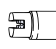
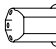








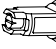

- ARAG® Kematal
- Lurmark® Flat Fan Tips

- Lechler Series 652, IDK, Air Mix,
- Lechler series ID, LU
- TeeJet® Flat Fan Tips Std.-
- TeeJet® FL Fulljet,
- TeeJet® TG Fullcone



CODE	DESCRIPTION	COLOUR	QUANTITY	CAT
40299003	Uni Cap	Red	1 PACK	B

## CAPS FOR HARDI NOZZLE BODIES

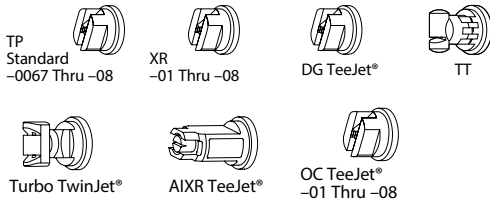
QUICK TEEJET CAPS	CAP ONLY	CAT	FOR USE WITH FLAT SPRAY TIPS 150PSI (10 BAR) MAXIMUM PRESSURE
	CP21399-6-CE	B	 TJ TwinJet*  AI TeeJet* & AIUB TeeJet*  SJ-3 StreamJet*  DG TwinJet*  Turbo TeeJet* Induction
	CP23307-4-CE	B	 TP Standard -0067 Thru -08  XR -01 Thru -08  DG TeeJet*  TT
	CP23307-6-CE	B	 Turbo TeeJet*  AIXR TeeJet*  OC TeeJet* -01 Thru -08

# Nozzle Caps

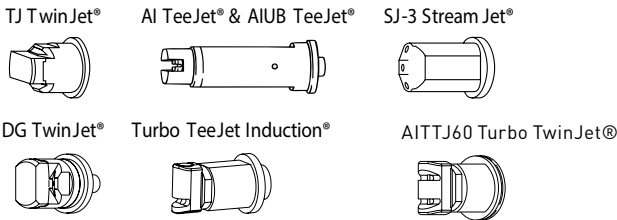
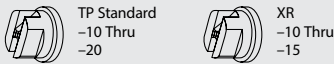
FOR USE WITH SPRAY TIPS) REFERENCE GUIDE ONLY)

COLOUR CAPS

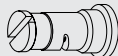
## TeeJet Flat Spray Tips (Smaller Capacities)



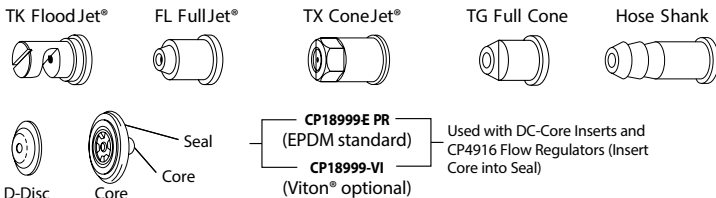
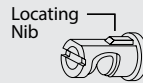
## TeeJet Flat Spray Tips (Larger Capacities)



Turbo Flood Jet®  
VisiFlo® Spray Tip



TK-VS Flood Jet®  
VisiFlo Spray Tip



Ceramic Disc-Core



Provides shut-off at nozzle for quick spacing change or change in spray swath



CP19438-EPR (EPDM standard) Gasket only

CP19438-VI (Viton optional) Gasket only



# Nozzle Caps

# TeeJet®

TEEJET CAP CODE	CAT	TEEJET GASKET & CAP KIT CODE	CAT
CP25611-3-NY	B	25612-3-NYR	B
CP25611-4-NY		25612-4-NYR	
CP25611-5-NY		25612-5-NYR	
CP25611-6-NY		25612-6-NYR	
CP25611-7-NY		25612-7-NYR	
CP25611-8-NY			
CP25609-4-NY	B	25610-1-NYR	B
CP25609-6-NY			
CP25597-3-NY	B	25598-3-NYR	B
CP25597-4-NY		25598-4-NYR	
CP25597-5-NY		25598-5-NYR	
CP25597-6-NY		25598-6-NYR	
CP25597-7-NY		25598-1-NYR	
CP25599-3-NY	B	25600-6-NYR	B
CP25599-6-NY			
CP25607-3-NY	B	25608-1-NYR	B
CP25607-4-NY		25608-3-NYR	
CP25607-5-NY		25608-4-NYR	
CP25607-6-NY			
CP26277-1-NY	B	26278-1-NYR	B
N/A	B	19843-NYR	B
	B		
	B		

CP19438-EPR (EPDM standard)

CP19438-VI (Viton optional)



## TEEJET NOZZLE CAPS

The Quick TeeJet® caps are designed with grooves that fit locating lugs on the nozzle body. Caps are made of nylon and are available for use with all TeeJet spray tips. Maximum operating pressure of 20 bar/290 psi.

\*Specify colour code (see chart), e.g.: CP25611-3-NY will supply red cap.

# Safety Equipment

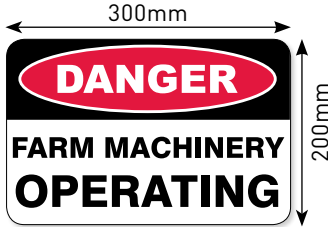


# Safety Warning Signs

## SAFETY SIGNS

Range of safety signs for the rural property.  
200mm x 300mm rigid signs and self-adhesive.  
All signs suitable for install with nail or screw.

- Printed using UV resistant inks
- PVC material resists yellowing & brittleness
- Compliant to Australian Standards
- Portrait or landscape as displayed



AS-D0018



AS-D0003



AS-N0001



AS-D0013



AS-D0015



AS-D0006



AS-D0017



AS-P0004



AS-P0005



AS-M0006

CODE	DESCRIPTION	CAT
AS-*****	Rigid Self Adhering Sign 200mm x 300mm (Standard Size)	B
***** Note to order signs use code quoted with image eg AS-D0006 for "LOOK OUT" sign		

## SAFETY GOGGLES

- Wide Viewing area & can be worn with most prescription glasses
- Soft frame for comfort
- Stops 99.99% of UV light

SCP2065



## EAR MUFFS

- 18db reduction rating
- Adjustable fit

SCP5015



## HALF MASK RESPIRATOR KIT

- Soft Silicone face seal
- Downward outflow prevent eyewear fogging
- Supplied with P2 Particulate filter.
- Optional A1 Filter for organic vapors (meet AS/NZS 1715-16).
- A1 & P2 Filters can be combined for A1P2 protection



SCP1085

## PROFESSIONAL FACE SHIELD

- Ratchet adjustable headband
- 200mm x 394mm visor

SCP6015



## DISPOSABLE COVERALLS

- One size fits all
- Zipper front
- Long sleeves
- Attached hood
- Elastic cuff & ankle

SCP8010



## SUNDSTROM RESPIRATOR KIT

Top quality breathing apparatus comes complete with a gas filter suitable to most farm spraying operations and a pack of five pre-filters, all in a convenient carry and storage case.

JA-2101031



CODE	DESCRIPTION	CAT
SCP2065	Safety Goggles (Meets AS/NZS 1337)	B
SCP6015	Face Shield	B
SCP5015	Ear Muffs	B
SCP8010	Disposable Coveralls	B
SCP1085	Half Mask Respirator Kit with P2 Filters (Meets AS/NZS 1715-16)	B
SCP1065	P2 Filter Cartridge PK of 2 for Mask SCP1065 (not pictured)	B
SCP1075	A1 Filter Cartridge PK of 2 for Mask SCP1085 (not pictured)	B
JA-2101031	Sundstrom Respirator Kit	B
JA-2101029	Replacement Gas Filter For Sundstrom Respirator Kit	B

## SAFETY SPRAY HELMETS

These helmets supply fan forced and filtered air (up to 120l/m) to the user in place of a face fitted respirator allowing easy breathing and communication.

### K80S-T5 ASSEMBLY

Powered by a 6V battery ideal for full independence from a vehicle power source.

The battery pack and motor/fan pack are carried separately on a belt (supplied) to permit freedom of movement for up to 6 hours.

The battery pack is recharged from 240 Volt mains via a supplied recharging unit supplied.



K80S-T5

### K80S-T9R ASSEMBLY

Powered by Vehicle 12V system and battery for vehicle mounted or independent use with a backup NiCd rechargeable battery for up to 4 hours of use.

This permits the wearer to safely leave the tractor or vehicle seat to make machine adjustments, check spray performance, add chemicals to the tank, etc.

Uses vehicle dashboard plug to power and charge.



K80S-T9R

### KASCO A1P3 FILTER

The A1P3 filter is particularly formulated to suit insecticides, fungicides, weed killers, organic vapours and dust, fumes and mist. The unique filtering system uses filter paper as a particulate filter medium and activated carbon as the vapour filter medium. A plastic cap seals the filter when not in use, adding durability.



178-0601-19

CODE	DESCRIPTION	CAT
K80S-T5	Kasco 6V Independent Use Filter Helmet	A
K80S-T9R	Kasco 12V Vehicle And Independent Use Filter Helmet	A
178-0601-19	Kasco A1P3 Single Filter	B

## RODEO GLOVES

- Hard wearing
- Soft leather
- Retains natural feel



SCP4030

## CHEMICAL GLOVES

- Long 450mm length
- Resistant to oil, grease and chemicals



SCP4000

## MEASURING JUG

Measure chemicals accurately and pour them safely with these quality measuring jugs.

- Available in 1, 3 and 5L



JA-2102032:  
1L JUG

JA-2102033:  
3L JUG

JA-2102035:  
5L JUG

## NITRILE GENERAL PURPOSE GLOVES

- Tough and durable with excellent chemical and oil resistance
- Made from 100% Nitrile rubber with textured non-slip grip
- Available in Large & X-Large



JA-2101010

## NITRILE GAUNTLETS

Chemically toughened for protection against most agricultural chemicals. Available in sizes 10 and 11.



JA-2101040

## 15 & 25L CHEMICAL BUCKET

A heavy duty chemical bucket with graduated handgrip, made from quality U.V. stabilised polyethylene. Will stand the test of time.



CJ15  
15 LITRE

CJ25  
25 LITRE

CODE	DESCRIPTION	CAT
SCP4030	Rodeo Gloves (Meets AS/NZS 2161)	B
JA-2101010	Nitrile Gloves (box of 100) - Large Size	B
JA-2101011	Nitrile Gloves (box of 100) - X Large Size	B
SCP4000	Chemical Gloves (Meets AS/NZS 2161)	B
JA-2101040	Nitrile Gauntlets, Pair - Size 10	B
JA-2101045	Nitrile Gauntlets, Pair - Size 11	B
JA-2102032	1L Measuring Jug	B
JA-2102033	3L Measuring Jug	B
JA-2102034	5L Measuring Jug	B
CJ15	15L Chemical Measuring Bucket	B
CJ25	25L Chemical Measuring Bucket	B



## ALL CLEAR TANK CLEANER

Remove pesticide deposits and other debris, including oily substance from tanks, hoses, booms, transfer and mixing systems, filters, screens and nozzles

- 1L of All Clear makes up to 400L of cleaning solution



071-1LAC

## 5L FOAM CONCENTRATE

Makes 500L of high density foam. Provides excellent visibility and long life on the ground.



071-4D

## 12V COMPRESSOR

As used on Silvan foam markers. Ideal for high volume, low pressure foam making application.

- 1/8" BSP outlet
- 37L/min@32kPa/4.6psi
- 60W

042C-6



## 12V HEAVY DUTY COMPRESSOR

As used on Silvan foam markers. Ideal for high volume, low pressure foam making application.

- 1/4" BSP outlet
- 38L/min@32kPa/4.6psi
- 96W



042D-45201

CODE	DESCRIPTION	LENGTH	WIDTH	HEIGHT	CAT
071-1LAC	1L All Clear Tank Cleaner				B
071-4D	5L Foam Concentrate				B
042C-6	Compressor 37L/min 12V	200mm	110mm	140mm	B
042D-45201	Compressor 38L/min 12V Heavy Duty	200mm	140mm	170mm	A

<b>A</b>		<b>F</b>	
Agitators.....	65	Face Shield.....	102
Ag Runner Pump.....	23	Filter - Elements .....	43-45
All Clear Tank Cleaner.....	105	Filter - Inline Suction.....	42
Aquatec 12V Pumps.....	35	Filtration .....	41-46
ATV Boomless Nozzle .....	88	Filtration Information .....	41
Autosteer.....	9	Flow Meters .....	16-17
<b>B</b>		Foam Marker .....	18
Boomless Nozzles.....	86-89	Foam Marker Accessories.....	105
Brass Connectors & Fittings .....	60-62	Foam Marker Solenoids.....	22
Bravo 140 Controller.....	11	<b>G</b>	
Bravo 180S Spray Controllers .....	10	Gauges, Pressure.....	50
Breathing Protection.....	103	Geoline Nozzles .....	73
Ball Valve.....	49-50	Gloves.....	104
<b>C</b>		Goggles .....	102
Camlever Couplings.....	52-53	Goyen Solenoids & Repair Kit.....	21
Centrifugal Pumps.....	34	GPS Guidance Systems.....	6
Chemical Handling Equipment.....	23, 104	<b>H</b>	
Chemical Jugs & Buckets.....	104	Hardi Nozzle Caps.....	97
Chemical Transfer Pump.....	23	Helmets - Kasco .....	103
Clamps - Hose .....	57	High Pressure Diaphragm Pumps.....	29-31
Cleaner - Tank Wash Detergent .....	105	Hose .....	63, 64
Compressors - Foam Marker .....	105	Hose Clamps.....	57
Control Boxes.....	19-20	Hose Fittings - Brass.....	60-62
Control Valves - Electric .....	13-15	Hose Fittings - Nylon.....	58-59
Controllers Suit Diaphragm Pumps .....	28, 30	Hose Fittings - Plastic .....	53-57
Couplings - Snap.....	62	Hose Snap Couplings.....	62
Coveralls .....	102	Hydraulic Drive Centrifugal Pumps.....	34
Cup Strainers.....	46	Hypro Boomless Nozzle Kit .....	88, 89
<b>D</b>		<b>I</b>	
Detergent - Tank Cleaner .....	105	In-Line Filters .....	43, 44, 45
Delivery Hose.....	63-64	ISOBUS Spray Controller.....	8
Diaphragm Pumps.....	26, 27, 29, 31	<b>K</b>	
Diaphragm Pump Controls.....	28, 30	Kasco Helmets & Filter .....	103
Diaphragm Pump Service Kits .....	32	<b>L</b>	
Delta 80 Spray Controller .....	7	Lid Strainers .....	48
Disposable Gloves.....	104	Lids - Tank .....	47-48
Droplet Size Information.....	67	<b>M</b>	
<b>E</b>		Matrix Guidance System.....	6
Electric Solenoids .....	19, 20, 21	Measuring Jugs .....	104
Electric Valve Kits .....	13-15	Mesh Elements .....	43-45
Engine Driven Pumps .....	25	Motorised Pumps.....	25
Eye Protection.....	102		

<b>N</b>		<b>R</b>	
Navigator LT Guidance System.....	6	Respirator Filters & Kits.....	103
Nitrile Gloves & Gauntlets .....	104	<b>S</b>	
Nozzle Application Rate.....	68-69	Safety Clothing.....	102-104
Nozzle Accessories & Caps .....	90-99	Safety Signs.....	101
Nozzle Boomless .....	86-89	Section Valves .....	15
Nozzle Strainers .....	46	Selecta Pakpump .....	36
Nozzles - Brass Off Centre Oc.....	85	Service Kits - Diaphragm Pumps .....	32
Nozzles - Geoline Flat Fan Poly Rs .....	73	Shurflo Service Parts.....	38-39
Nozzle Holders - Swivel.....	94-95	Shurflo 12, 24 & 240V Pumps .....	37
Nozzles Holders High Pressure Brass .....	95-96	Smoothflo 12V Pump .....	35
Nozzles - Lurmark Lc Deflectip .....	85	Solenoids.....	19-22
Nozzles - Teejet AIC Air Induction .....	80	Spray Helmet Kasco .....	103
Nozzles - Teejet AIXR Air Induction .....	78	Strainers - Lid.....	48
Nozzles - Teejet Drift Guard .....	76	Strainers - Nozzle.....	46
Nozzles - Teejet Hollow Cone .....	82	Strainers - Pressure / Suction .....	43-45
Nozzles - Teejet Turbo .....	76	Suction Filters.....	42
Nozzles - Teejet TTI Turbo Induction.....	80	Suction Hose .....	63
Nozzles - Teejet AITTJ60 Turbo Twinjet.....	80	<b>T</b>	
Nozzles - Teejet TP .....	74	Tank & Hose Fittings.....	51-59
Nozzles - Teejet XR Extended.....	74	Tank Kit Sight Gauge .....	51
Nozzles - Teejet XRC Extended.....	74	Tank Lids + Components .....	47-48
<b>O</b>		Taps - In Line .....	49-50
Ontrack Foam Concentrate .....	105	Teejet Nozzle Caps.....	97-99
Orion Flow Meters .....	16	Teejet Nozzle Holders.....	92-93
<b>P</b>		Teejet Nozzles.....	74-80
Pak Pumps.....	36	Teejet Pressure Filters .....	43-44
Polmac Flow Meters .....	17	Tip Strainers .....	46
Poly Fittings .....	53-57	TPL Boomless Nozzle.....	88
Pressure Gauges.....	50	<b>U</b>	
Pressure Line Filters .....	43-45	Ultrasonic Sensor Kit.....	11
Pressure Relief Valves .....	22	Uni Cap Nozzle Caps.....	97
Pumps - Service Kits & Acc.....	32, 38, 39	<b>V</b>	
Pumps - 12V Aquatec, Smoothflo.....	35	Valves - Electric .....	15
Pumps - 12, 24 & 240-Volt Shurflo.....	37	Valves - Solenoid.....	19-22
Pumps - 12V Pak Pumps .....	36	Vari Spacing Clamps.....	93
Pumps - Centrifugal .....	34	Visio Monitors .....	12
Pumps - Hydraulic .....	34	<b>W</b>	
Pumps - High Pressure .....	29-31	Wind Speed Information .....	71
Pumps - Motorised .....	25	Wolf Flow Meters .....	16
Pumps - PTO Diaphragm.....	26, 27, 29, 31		
PTO Shafts .....	33		







### AVAILABILITY

Products in the Silvan Price List are available through authorised Silvan dealers. Products in the Selecta Price List are available through both Silvan & Selecta dealers.

### TERMS

The Silvan terms and conditions are set out in your individual trading terms and at [www.silvan.com.au/terms](http://www.silvan.com.au/terms)

### PRICES

All prices are suggested list prices in Aus dollars. Prices are subject to change without prior notice. For stocking incentive programmes refer to your individual trading terms, or contact customer services staff on 1300 745 826.

### GST

All prices are inclusive of GST unless otherwise stated. If GST is payable by you, GST is paid in addition to invoiced amount or price unless the invoice or price is stated to be GST inclusive.

### FREIGHT CHARGES

Prices are ex Silvan Distribution Centres in Melbourne, Brisbane, Perth, Sydney & Adelaide (Sydney & Adelaide have limited stock lines). Check with Silvan Customer Service for freight charges into your area. Freight and handling charges will be added to the invoice amount.

### TITLE AND RISK

Silvan retains title to all goods until paid for in full in clear funds. Risk in respect of goods passes to you as soon as the goods leave the Silvan Distribution Centre.

### PPSA

Silvan may register a security interest over the goods as security for any payment. You will need to provide Silvan with all information, documents and consents as Silvan requires to register and maintain this security interest.

### URGENT ORDERS

Urgent/breakdown orders attract a \$22 inc GST priority fee.

### WARRANTY

The only warranty provided by Silvan is set out on the forms accompanying the goods (for a copy please contact the Silvan Customer Service Centre). No other warranty or representation is made by Silvan. The terms of Silvan's warranties are subject to the operation of any law including the Australian Consumer Law.

### CANCELLATIONS

1. Cancellations made on the day the order was placed:
  - a. If stock isn't dispatched, no handling fee applies
  - b. If stock has been dispatched a restocking fee applies
2. Cancellations made after the day the order was placed, a restocking fee will apply.

### RETURNS POLICY

1. Before returning any product to Silvan, a Return Authorisation (RA) Number and approval form must be obtained from Silvan Customer Service. Goods WILL NOT be accepted without an RA number and form.
2. All returns must be requested within 14 days of the invoice date.
3. Goods will only be accepted for credit if they are returned undamaged and in saleable condition.
4. Return freight will be paid by the Customer if the goods are returned at the Customer's volition, unless authorised by the Company in writing prior to return of the goods.
5. Written claims must reference Silvan invoice numbers, and must be dated and state the reason for the claim.
6. A restocking fee will be applied if the goods have been dispatched according to the order.
7. Return of products valued under \$50 nett inc GST won't be accepted if dispatched according to the order.

### CLAIMS

Pricing & Freight Claims need to be made within 14 days of the invoice date. Any claims after this for pricing discrepancies will not be accepted. Claims for Freight Damage need to be made within 14 days of the invoice date by notifying Silvan Customer Service. Claims received after this will not be accepted.

### DISCOUNT CODES

Refer to individual Trading Terms for specific discounts.



# Spraying Components Catalogue

The company reserves the right to change recommended prices and specifications without notice. All items in this Price List have been included in good faith on the basis that the goods described were available at the time this book was published. Failure of suppliers to deliver in accordance with samples, descriptions, or at all, or other unintentional causes may result in some lines being unavailable.

Space may prevent some dealers from stocking all items. All brand names and product names used in this publication are trade names, registered trade marks, or pending trade marks of their respective owners.

## **SILVAN AUSTRALIA PTY. LTD.**

ABN 48 099 851 144

Freecall: 1300 745 826

Fax: 1800 745 826

Email: [info@silvanaust.com](mailto:info@silvanaust.com)

Web: [silvan.com.au](http://silvan.com.au)

Head Office: 244-264 Greens Road,  
Dandenong South, VIC, Australia 3175

QLD. Office: Warehouse 2, 30 Gow Street,  
Moorooka, QLD 4105

W.A. Office: 12 Cressall Road, Balcatta, WA 6021

## **SILVAN NEW ZEALAND PTY. LTD.**

P.O. Box 10088 Te Rapa, Hamilton, 3241

Phone: 0508 745 826

Fax: 07 849 6070

Web: [silvannz.co.nz](http://silvannz.co.nz)

COPYRIGHT © SILVAN AUSTRALIA PTY. LTD. 2017

