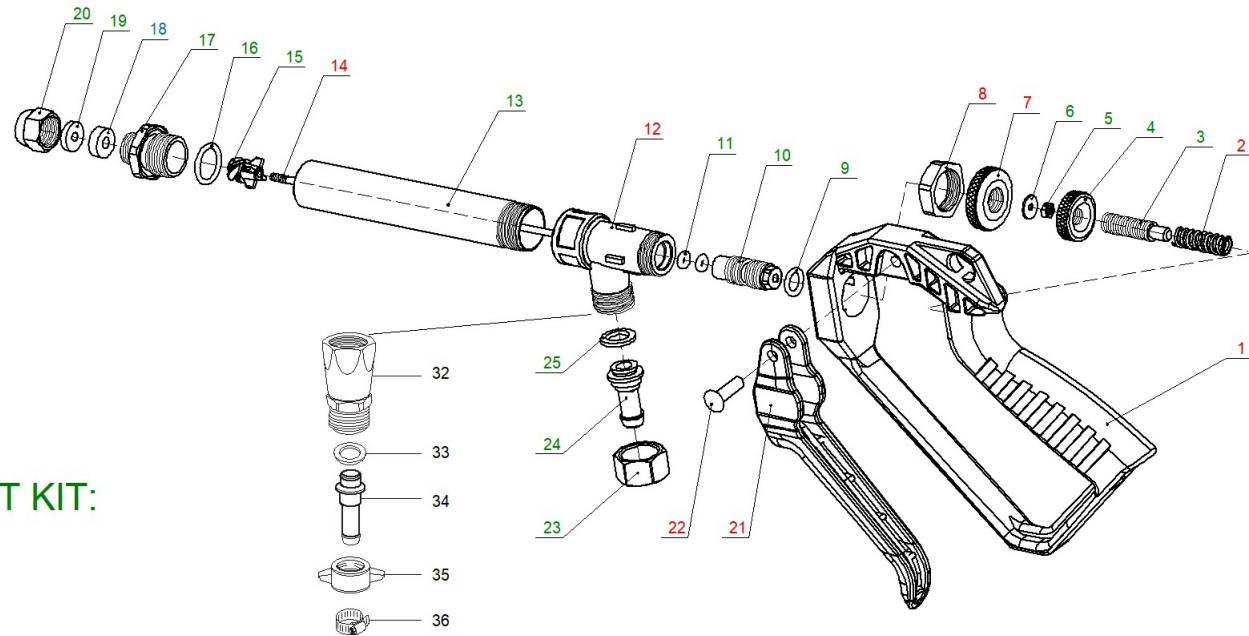


GREEN: STOCKED ITEMS

RED: UNSTOCKED ITEMS

GASKET KIT:  
26



405-M27-12	27		Nozzle, Ceramic 1.2		
401-061-1802-047	28	1	Nozzle, Ceramic 1.5		STANDARD
405-M27-18	29		Nozzle, Ceramic 1.8		
405-M27-20	30		Nozzle, Ceramic 2.0		
405-M27-23	31		Nozzle, Ceramic 2.3		

410-53 JETPRO

N.	Code	Description	Qty	Note	EAN CODE
3	401-35-1600-2	SPINDLE(SPRINGIMOLLA POS.2)	1,00		9327602030022
4	401-35-587-15	RING NUT(FERMO LEVA POS.3)	1,00		9327602053397
5	401-27-301-28	***NUT M27/M28	1,00		9327602113008
6	401-35-1506-20	WASHER MAIN STEM	1,00		9327602012080
9	C1210-375	O-RING-VITON	1,00		9327602028319
10	401-35-8304-5	GLAND(PREMISTOPPA POS.8)	1,00		9327602012042
11	401-27-602-39	O-RING	1,00		9327602047846
13	401-26-1703-69	PIPE S21X1.2-133 AISI1304	1,00		9327602021891
15	382-078	SPINDLE 15 AND SHAFT 14 SUIT 410-53	1,00	SPINDLE REF: 14 COMES WITH REF: 15	9327602320178
16	C1210-093	O-RING	1,00		9327602035416
17	401-35-1701-11	SEAT(TESTA POS 18)	1,00		9327602036758
18	382-077	GASKET KIT SUIT 410-53 SPRAYGUN	1,00		9327602320161
19	405-M27-12	NOZZLE 1.2 M27 LANCE	1,00		9327602114593
20	401-27-605-40	CAP NUT(GHIERA POS.6)	1,00		9327602041486
23	BRA-16260521	NUT	1,00		9327602154216
24	G8304004	HOSETAIL+GKT(INCL NUT)10M	1,00		9327602026759
25	C1209-13	WASHER IDS OUTLET TAIL	1,00		9327602026490
26	382-077	GASKET KIT SUIT 410-53 SPRAYGUN	1,00		9327602320161
27	405-M27-12	NOZZLE 1.2 M27 LANCE	1,00		9327602114593
28	401-061-1802-047	NOZZLE CERAMIC 1 5 SUIT 401-44BR	1,00		9327602110281

410-53 JETPRO

N.	Code	Description	Qty	Note	EAN CODE
29	405-M27-18	NOZZLE 1.8 M27 LANCE	1,00		9327602026186
30	405-M27-20	NOZZLE 2.0 M27 LANCE	1,00		9327602114845
31	405-M27-23	NOZZLE 2.3 M27 LANCE	1,00		9327602027381
32	418-94	SWIVEL ASSY 1/2inBSP M/F 1PK	1,00		9327602052833
33	C1209-13	WASHER IDS OUTLET TAIL	1,00		9327602026490
34	C2802-18	TAIL HOSE 10MM	1,00		9327602055070
35	474-216	WINGNUT 1/2 SUIT 474-203/212	1,00		9327602054578
36	187-MH05	HOSE CLAMP SUIT10MM HOSE	1,00		9327602014961
410-53	410-53	SPRAYGUN JETPRO ERGONOMIC	0,00		9327602317277